



## PDS-500E



Color Kinetics® PDS-500e intelligent power/data supply is specifically designed for Color Kinetics class 1 fixtures, such as iColor Accent. PDS-500e provides a robust 500W power source and intelligent data drive circuitry. This data circuitry conditions data supplied from a DMX512 controller, including Color Kinetics full line of controllers, to a format compatible with the fixtures. This integration of power and data simplifies wiring installation.

The 500W power source features a built-in ventilation fan in addition to an automatic over-temperature shut-off to protect it from damage due to overheating. The data drive circuitry has been specifically designed with short circuit protection to prevent failures or damage due to incorrect wiring/installation. PDS-500e also features diagnostic LEDs to aid troubleshooting of Color Kinetics systems.

PDS-500e automatically accommodates supply voltages ranging from 100VAC to 240VAC (50-60 Hz), which must be hard-wired to the supply. Light fixtures are hard-wired to two-piece locking connectors for easy fixture disconnection and reconnection to output terminals. RJ45 data input and output connectors let you daisy-chain data from one power/data supply to another. A DMX repeater is provided to maintain the integrity of the data in large installations.

The entire package is housed in a NEMA-style enclosure with 14 pre-formed knockout holes sized for standard conduit connectors, which comply with National Electrical Code (NEC) requirements. PDS-500e is rated for indoor use only. For outdoor installations, a NEMA 4 (IP66) outdoor rated enclosure must be used.

PDS-500e is outfitted for advanced ethernet options using a Color Kinetics proprietary protocol. These control options are ideal for large installations, and will be available soon as standard products. For more information, contact Color Kinetics.

### PDS-500e SPECIFICATIONS

<b>POWER INPUT</b>	100VAC to 240VAC (50Hz–60Hz) auto-ranging Power factor correction (PFC) 7A (115V)/3.5A (230V)
<b>POWER OUTPUT</b>	24VDC (480W Max.)
<b>HEAT DISSIPATION</b>	25 percent of total power output
<b>AMBIENT OPERATING TEMP</b>	14°F to 122°F (-10°C to 50°C)
<b>HOUSING</b>	NEMA-style indoor rated enclosure; housing dimensions: 10.38" (26.37 cm) x 10.10" (25.65 cm) x 4.38" (11.13 cm)
<b>CONNECTORS</b>	Data: Screw terminal or RJ45 input and output connectors; Power: Screw terminal output connectors
<b>DATA INTERFACE</b>	Color Kinetics full line of controllers or DMX512 (RS485) compatible
<b>LISTINGS</b>	C-UL US listed, CE listed



ITEM# 109-000009-00

This product is protected by one or more of the following patents:  
U.S. Patent Nos. 6,016,038, 6,150,774 and other patents listed at  
<http://colorkinetics.com/patents/>. Other patents pending.

©2002-2005 Color Kinetics Incorporated. All rights reserved.  
Chromacore, Chromasic, Color Kinetics, the Color Kinetics logo, ColorBlast, ColorBlaze, ColorBurst, ColorCast, ColorPlay, ColorScape, Direct Light, iColor, iColor Cove, iPlayer, Optibin, QuickPlay, Sauce, the Sauce logo, and Smartjuice are registered trademarks and DIMand, IntelliWhite, Powercore, and Video With Light are trademarks of Color Kinetics Incorporated.

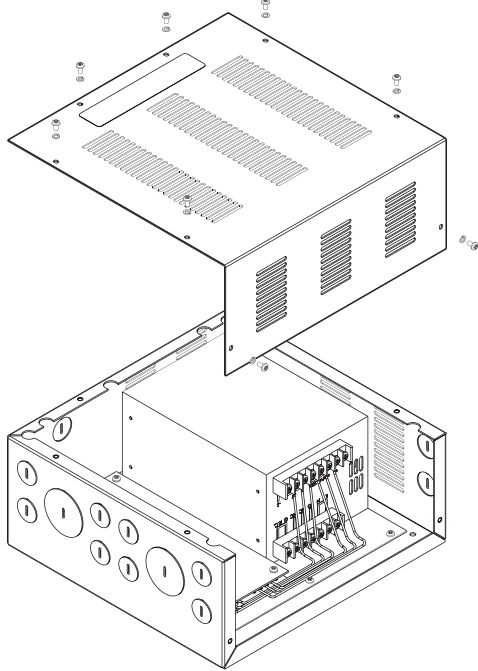
BRO101 Rev05

Specifications subject to change without notice.

### U.S. AND FOREIGN PATENTS AND PATENTS PENDING

**PDS-500e**

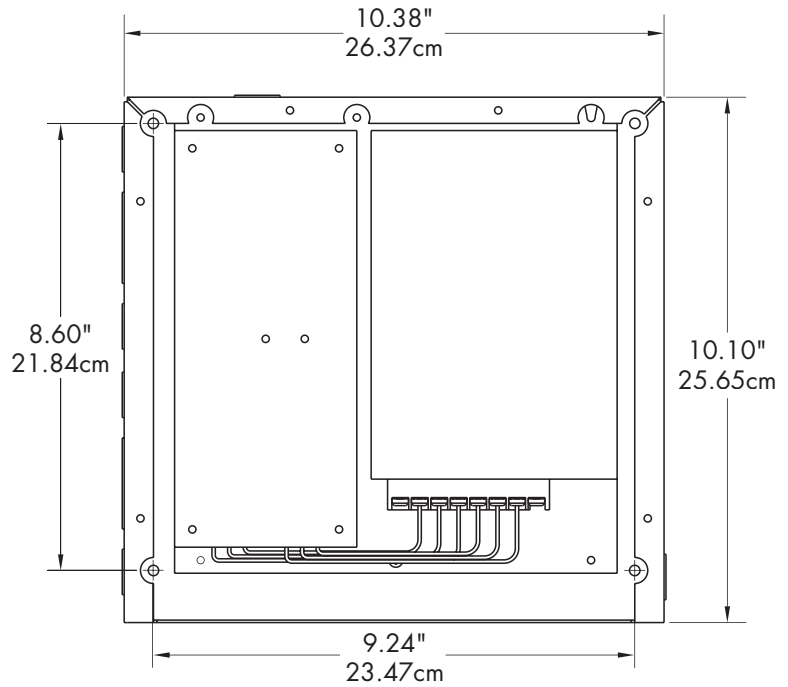
PHYSICAL DIMENSIONS



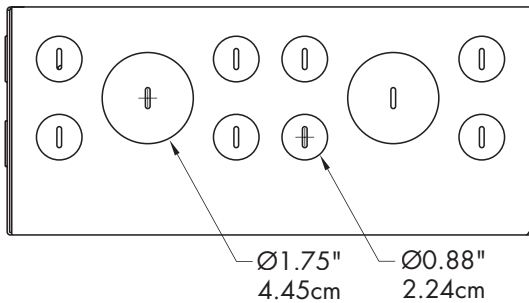
**NOTE:** Requires 4 inches open space on all vented sides

(SHOWN WITHOUT COVER)

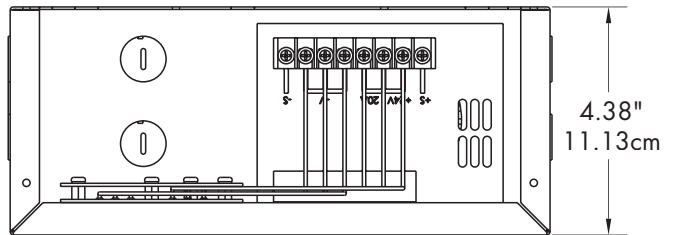
**TOP VIEW**



**SIDE VIEW**



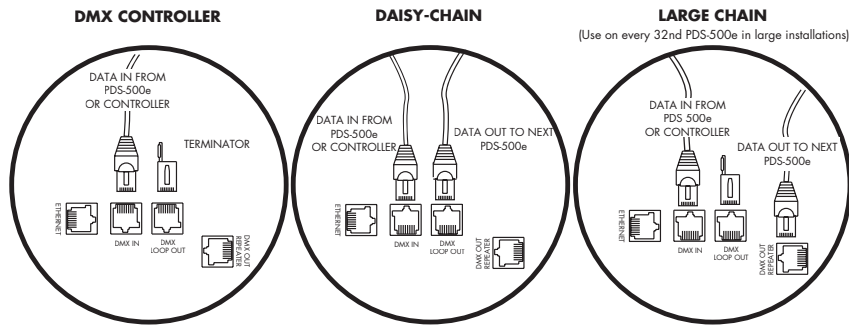
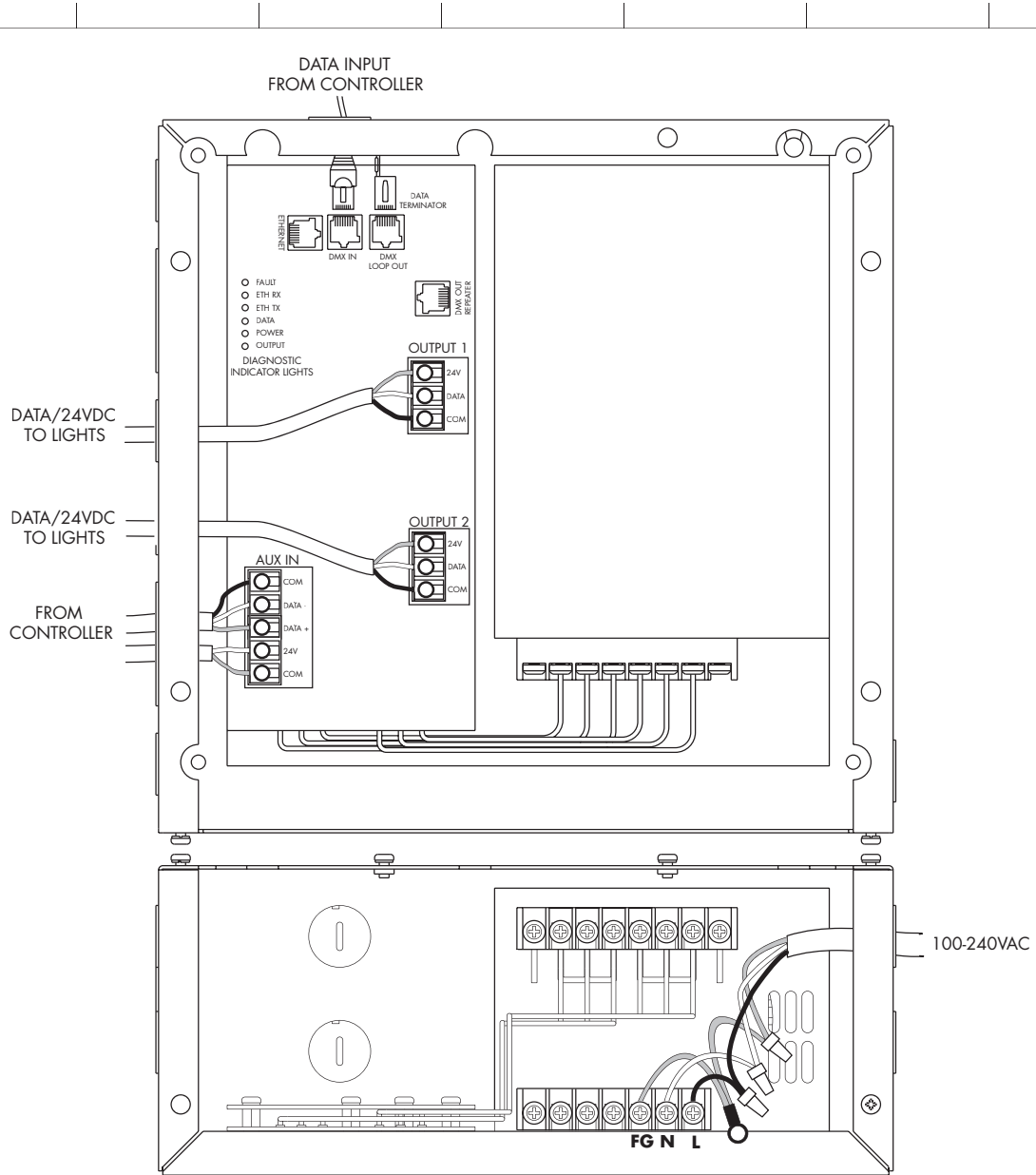
**FRONT VIEW**



<b>PDS-500e</b>	
<b>ITEM # 109-000009-00</b>	
<b>DATA CONNECTOR</b>	Input and output via RJ45 or screw terminals
<b>OUTPUT CONNECTOR</b>	Screw terminals
<b>SUPPLY CONNECTOR</b>	Flying leads
<b>WEIGHT</b>	10.5 lb. (4.8 kg)

**PDS-500e**

**WIRING DIAGRAM**



# PDS-500e

## FUNCTIONAL FLOW DIAGRAM

