

10/04

Virtua West Jersey Replacement Hospital

Voorhees NJ



TECHNICAL REPORT ONE

ASHRAE Std 62.1 and Std 90.1

Justin Prior

Mechanical

Table of Contents

Executive Summary_____	3
ASHRAE Standard 62.1–2007 Section 5_____	4
ASHRAE Standard 62.1–2007 Section 6_____	11
ASHRAE Standard 62.1–2007 Conclusion_____	15
ASHRAE Standard 90.1–2007 Section 5_____	17
ASHRAE Standard 90.1–2007 Section 6_____	19
ASHRAE Standard 90.1–2007 Section 7_____	24
ASHRAE Standard 90.1–2007 Section 9_____	25
ASHRAE Standard 90.1–2007 Conclusion_____	25
Appendix A – ASHRAE 62.1 Section 6 Spreadsheet_____	27

Executive Summary

The purpose of this report is to determine if the Virtua Replacement Hospital complies with the ASHRAE Std 62.1 and Std 90.1. The Virtua Replacement Hospital is currently under construction and is located in Voorhees, NJ. It is comprised of two main buildings, a patient room tower, and an ancillary building where the surgery and emergency rooms are located. Due to the occupancy of the building, it was very important that the building conformed to the code.

The ASHRAE Standard 62.1–2007 analysis showed that the building is compliant for the most part. The building complied with almost every code in Section 5, and it showed that high quality indoor air was a key design feature in the design of the HVAC system. The calculations from Section 6 further proved this by the high outdoor air rates. The calculated rates differed from the design rates, however. This is because the ASHRAE codes were not used in the original design. Instead IMC 2003 and AIA 2001 were used to calculate outdoor air rates.

The hospital also complied with most of ASHRAE Std 90.1–2007. The equipment being used was all compliant, except for the supply fans. This was due to the use of the building requiring high indoor air quality, thus requiring better filters. The chillers and boilers were also well above the minimum efficiencies. The building does use a large amount of glass; however, it is a specialized Low e glass. The walls and roofs surpassed the minimum values, making the exterior envelope of the building well above the standard. The large amount of glass was also able to save on the amount of lighting used. The lighting density was well below the max value specified in Section 9 due to the large amount of natural day light.

While this building was not going after a LEED certification, reducing the amount of energy use was a major factor. This was especially important due to the fact that it is a hospital, and the energy use will be significant. The hospital was able to diminish the energy use by efficient equipment, and the use of natural day lighting to eliminate the use of artificial light.

System Description

The hospital consists of three 1,000 ton centrifugal chillers located in the central utility plant behind the ancillary portion of the building. Located on the roof of the building are three 9,000 gpm high efficiency cooling towers.

The hospital utilizes a VAV (Variable Air Volume) system throughout the building. There are three sets of AHU's located on the 7th floor. The first set consists of two AHU's at 50,000 cfm each. This will serve dietary areas and labs. The second set of AHU's also consists of two sets of 50,000 cfm AHU's. These will serve emergency and surgery rooms. The last set consists of six 75,000 cfm units that will serve the 8 story patient bedroom tower. For the computer room there are three computer room air conditioning units (CRAC).

For heating and humidifying the hospital has four steam boilers. Two of the boilers are 40 BHP, while the other two are 287 BHP. All four are located in the central utility plant. Coupled with the boilers are six shell and tube heat exchangers located in various areas around the building used for hot water heating.

ASHRAE Std 62. 1

Section 5

Section 5.1 Natural Ventilation

There is no natural ventilation being used in the building, and there are no operable windows as well so section 5.1 does not apply.

Section 5.2 Ventilation Air Distribution

All the spaces in the building meet the ventilation requirements. Since a VAV system is utilized throughout the building the dampers are set not to go past a certain angle as to allow no less than minimum ventilation.

Section 5.3 Exhaust Duct Location

All exhaust fans from surgery, patient rooms, kitchens, and other exhausted areas are ducted directly to the roof. They are all negatively pressured as to not allow any contaminants to spread throughout occupied spaces. Figure 1.1 shows a typical assembly for the exhaust located on the roof. This particular exhaust is for a kitchen hood, and contains a drip pan to catch any grease or contaminants.

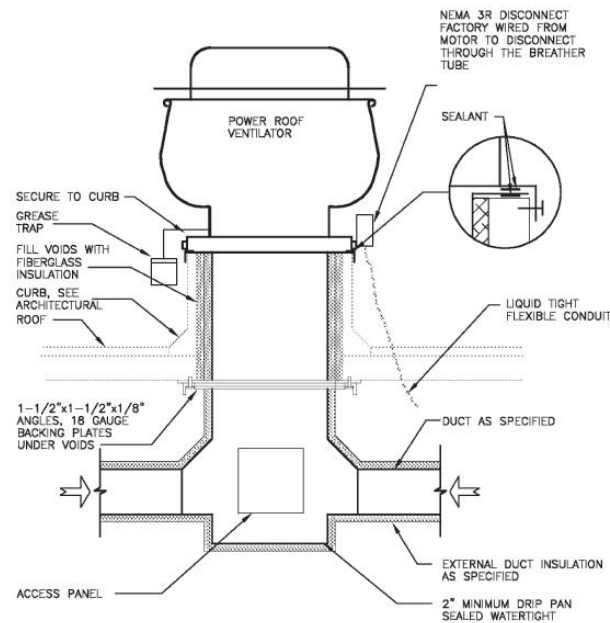


Figure 1.1 Typical Exhaust

Section 5.4 Ventilation System Controls

All boilers are controlled by a BAS (Building Automation System) that provides header pressure control. The BAS system is also integrated into the chillers. They are programmed to always be on, but can be adjusted by the user for a certain time table for the mechanical room. The return and exhaust ducts shall be controlled to maintain a constant negative shaft pressure. All 3 AHU sets will be controlled by a separate dedicated direct digital controller.

Section 5.5 Airstream Surfaces

All surfaces and materials in the ducts and mechanical equipment have been tested under ASTM C1338 and UL 181, among other ASTM tests. All materials in contact with the airstream are resistant to mold growth and erosion.

Section 5.6 Outdoor Air Intakes

All outdoor air intakes are well over the minimum distance from any contaminated exhaust, loading area, or garbage area. However, the boiler exhaust flues are directly next to the cooling towers allowing possible contamination of the chilled water, which can be seen in Figure 1.2. There are two boiler exhaust flues within a couple feet of a cooling tower, which is not compliant.

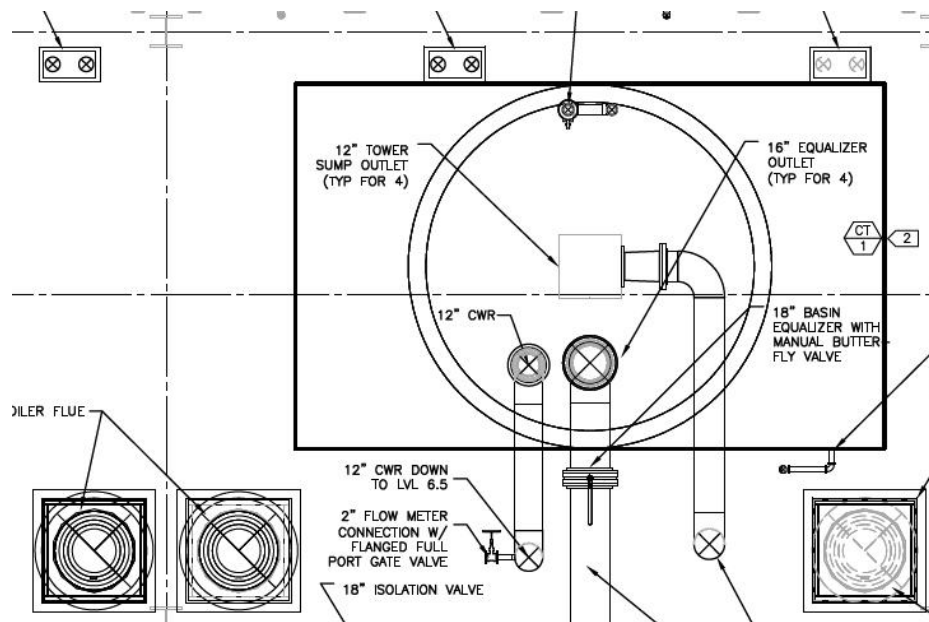


Figure 1.2 Cooling Tower/Exhaust Relation

Section 5.7 Load Capture of Contaminants

All exhaust systems exit directly to the roof of the building, allowing no contaminants back inside of the building or mechanical system. Figure 1.3 shows the two direct exhaust ducts that are connected directly to the generators that go directly

to the roof for immediate extraction. Figure 1.4 shows the exhaust ducts for the mechanical room. Seen here is the exhaust ducts for the chillers and boilers. It also shows the location of exhaust ducts for future additions.

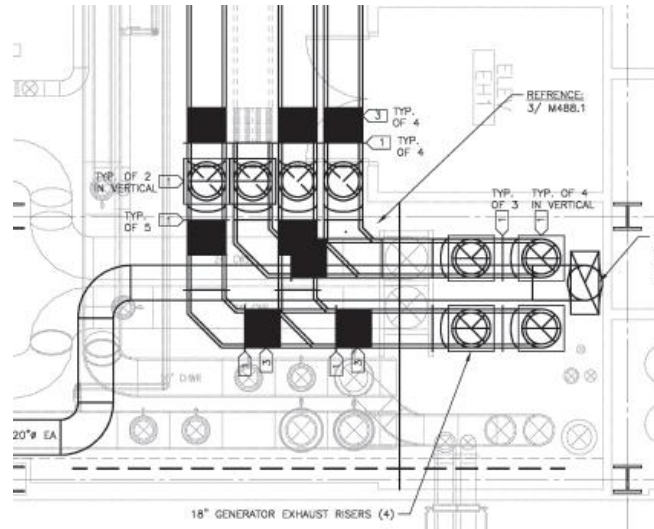


Figure 1.3 Generators Direct Exhaust

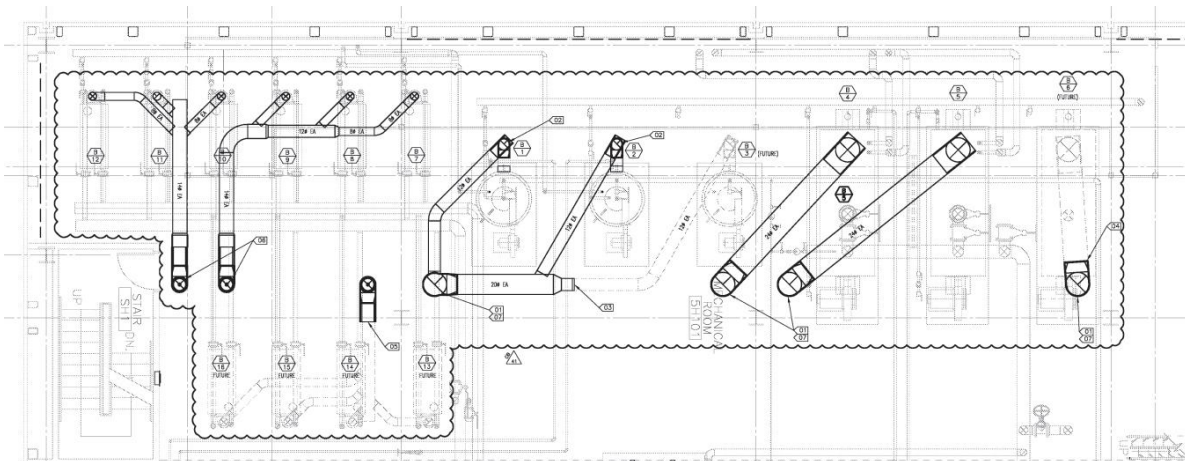


Figure 1.4 Mechanical Room Direct Exhaust

Section 5.8 Combustion Air

Combustion air from the generators, boilers, and heaters are all directly exhausted outdoors allowing no contamination inside the building.

Section 5.9 Particulate Matter Removal

The minimum rating in the building is an 8 MERV rating for public places and corridors. 13 to 17 MERV filters are used for surgery, patient, and lab rooms. Table 1.1 shows the types of filters that are used in the AHU units. AHU sets 1 and 2 both serve areas where the supply air needs to be cleaner, which is why they have the 13 MERV and 17 MERV filters.

TAG	LOCATION	TOTAL CFM		
			TYPE	MERV
AF1A-1	AHU-1A	50,000		13
AF1B-1	AHU-1B	50,000		13
AF2A-1	AHU-2A	50,000		13
AF2A-2		50,000		17
AF2B-1	AHU-2B	50,000		8
AF2B-2		50,000		17
AF3A-1	AHU-3A	75,000		8
AF3A-2		75,000		14
AF3B-1	AHU-3B	75,000		8
AF3B-2		75,000		14
AF3C-1	AHU-3C	75,000		8
AF3C-2		75,000		14
AF3D-1	AHU-3D	75,000		8
AF3D-2		75,000		14
AF3E-1	AHU-3E	75,000		8
AF3E-2		75,000		14
AF3F-1	AHU-3F	75,000		8
AF3F-2		75,000		14

Table 1.1 AHU Filter Ratings

Section 5.10 Dehumidification Systems

No space inside the building exceeds the 65% relative humidity. The overall pressure of the building is positive except for certain spaces such as surgery rooms, and toilets which constantly maintain a negative pressure.

Section 5.11 Drain Pans

Drain pans are sloped stainless steel pans located directly under the cooling coils in order to collect condensation. A drain is located on the bottom end of the pan for proper drainage to prevent mold growth around the coil. Figure 1.5 shows the location of the drain pan directly underneath the cooling coil in a typical AHU unit.

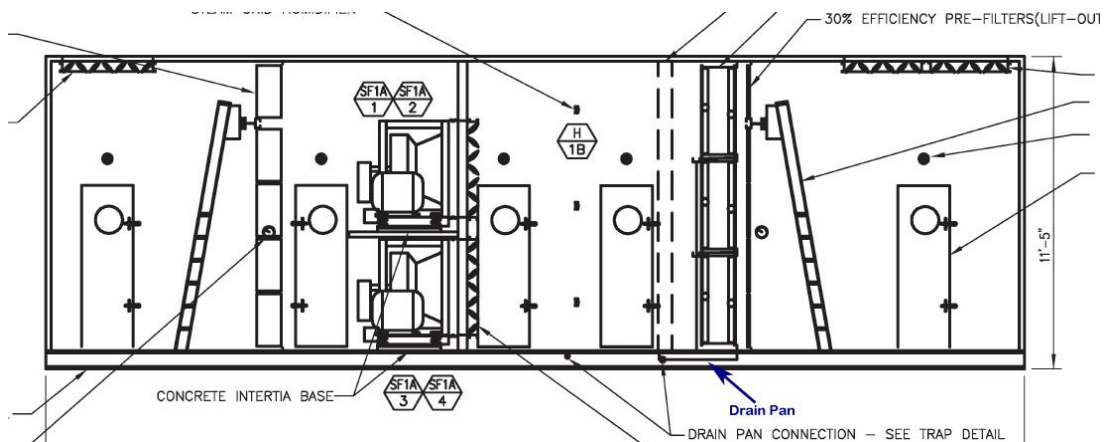


Figure 1.5 Drain Pan Location

Section 5.12 Finned-tube Coils and Heat Exchangers

There are no finned tube coil heat exchangers located in the building located in the building so this section does not apply. The ones used in this building are shell and tube, and plate and frame.

Section 5.13 Humidifiers and Water-Spray Systems

All water originates from an offsite source and goes through a filtration process within the hospital.

Section 5.14 Access for Inspection, Cleaning, and Maintenance

Boilers and chillers located in large open floors for ease of access all around the equipment and pipes. AHU's are located on an accessible floor, and have 2 rolling maintenance ladders leading into each end for easy maintenance. Figure 1.6 shows the two rolling ladders that are located on each end. These allow for maintenance to the unit as well as the ability to easily change the filters.

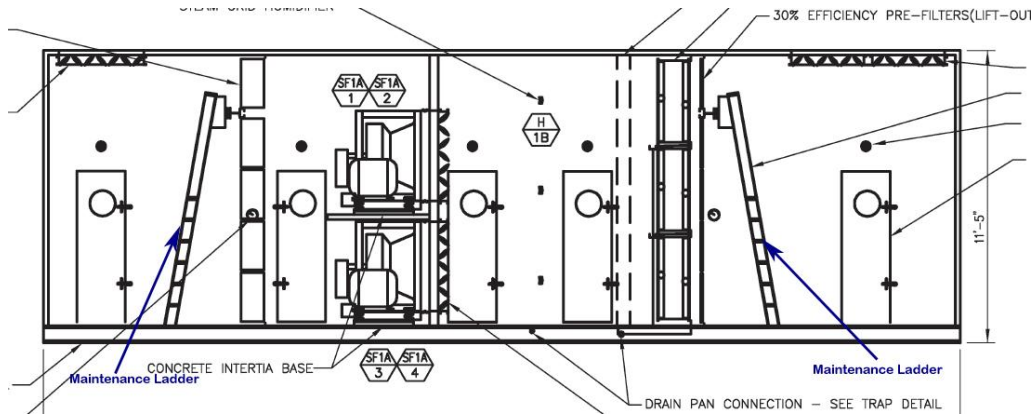


Figure 1.6 Maintenance Ladder Locations

Section 5.15 Building Envelope and Interior Surfaces

Elastomeric sheet water proofing is used on walls located below grade for water protection. Hot fluid applied rubberized asphalt waterproofing is used on concrete horizontal surfaces such as slabs on grade. Interior walls of the building have a polyethylene vapor retarder with a max .13 perm. Elastomeric wall membrane moisture barriers are used on the exterior walls as well as the joints for moisture protection.

Section 5.16 Buildings with Attached Parking Garages

There is no attached parking garage so this section does not apply.

Section 5.17 Air Classification and Recirculation

The buildings return air is classified as class 1 for public areas such as the lobby and corridor spaces. Exhaust air from the kitchens and surgery rooms are at least class 3 and are exhausted directly to the roof. Toilets are class 2 and are also directed to the roof.

Section 5.18 Requirements for Buildings Containing ETS Areas and ETS-Free Areas

The building is a non-smoking building and smoking areas are located away from any entrance so indoor air quality is not affected by this.

Section 6

An analysis of all three sets of AHU's was done using the ASHRAE Std 62.1 Section 6 guidelines.

Ventilation Rate Procedure

Breathing Zone Outdoor Airflow (V_{bz})

$$V_{bz} = R_p \times P_z + R_a \times A_z \text{ (Eq. 6-1)}$$

A_z = zone floor area (ft²)

P_z = zone population

R_p = outdoor airflow rate per person (cfm/person)

R_a = Outdoor airflow rate per unit area (cfm/ft²)

Zone Outdoor Airflow (V_{oz})

$$Z_p = V_{oz}/V_{pz} \text{ (Eq. 6-5)}$$

- For VAV Systems, V_{pz} is the minimum expected primary airflow for design purposes.

System Ventilation Efficiency (E_v)

E_v is found by using the Maximum Z_p value (Table 6-3)

Uncorrected Outdoor Air Intake (V_{ou})

$$V_{ou} = D \sum_{\text{all zones}} (R_p \times P_z) + \sum_{\text{all zones}} (R_a \times A_z) \text{ (Eq. 6-6)}$$

D = Diversity = $P_s / \sum_{\text{all zones}} (P_z)$ (Eq. 6-7)

P_s = system population, total population in the area served by the system

Outdoor Air Intake (V_{ot})

$$V_{ot} = V_{out}/E_v \text{ (Eq. 6-8)}$$

Outdoor Air Flow Calculation Assumptions

While analyzing the different spaces for Section 6, it was necessary to make certain assumptions for many of the areas listed. I considered all passages and alcoves as corridors when calculating outdoor air requirements. All spaces labeled HSKG are essentially storage spaces for gloves and lab coats, so these were treated as normal storage units.

Since the building is a hospital, there are many specialized rooms used for different types of surgeries and procedures. ASHRAE does not have values for these types of spaces, so values for R_p were based on the International Mechanical Code (IMC) 2003. Both IMC 2003 and AIA 2001 were the codes that were used on the design of the HVAC system in this hospital. Many of the surgery and clean procedure rooms required a minimum of 15 cfm/person based on these codes.

Std 62.1 Findings

The HVAC design of the hospital meets all of the requirements in Section 5 of Std 62.1, except for location of the cooling towers relative to the exhaust flues for the boilers. This is odd because there is a major effort to not let any contaminants in the air into the indoor spaces. This is done through making sure the outdoor air intakes are located well away from any exhaust ducts. Since the building is located in the middle of a 120 acre site, any pollutants from an exterior source will not reach the intakes. A minimum of 8MERV filters are used, with a minimum of 13 MERV used for spaces requiring very clean air. However, due to the location of the boiler exhausts, it is possible that contamination can still happen through the cooling towers.

Calculations were performed for each room in Section 6 to determine the minimum outdoor airflow requirements based on ASHRAE standards. The outdoor air fraction (Z_p) for each space was calculated based on the calculated outdoor airflow requirements and the design supply air. Next the overall system Z_p was calculated along with the total amount of airflow that the systems will need to produce. These values for each space in the hospital can be seen in the spreadsheet in Appendix A.

The AHU systems for the hospital are broken down into 3 main sets of AHU's. AHU Set 1 consists of two AHU units, manufactured by Haakon, that each produces 50,000 cfm. Table 1.1 below shows the larger Z_p values for the spaces served by AHU 1A and 1B.

Max Z_p AHU-1 Values	
Room Type	Z_p
Dining	45.60%
Conference	25.70%
Library	34.70%
Record Storage	22%
Main Lab	31%
Classroom	46.70%
Microbiology	31.10%
ControlRm	18.90%

Table 2.1 Max Z_p Values for Spaces in AHU Set 1

The max Z_p for AHU Set 1 is the classroom and dining area. The dining area has a large Z_p due to its function, as well as the large amount of people that will be in the space. The classrooms high Z_p can be attributed to the fact that the required rates for a classroom are high, and the design supply airflow is low compared to the calculated outdoor air flow. The library has a large fraction of outdoor air as well; this can be attributed to the fact that libraries require more outdoor air so that mold does not collect on the books. The same could be said for the record storage room, since this houses many of the patient records. The main lab and the microbiology room both have a large Z_p , but this is expected since they are labs and a large outdoor air intake is a must.

Max Z_p AHU-2 Values	
Room Type	Z_p
Radiation	22.30%
CT Control Room	52.80%
Triage	22.30%
Major Med	20.60%
OR 3,5,6	100%
OR 2	48.30%
OR 1	73.30%
OR 7	42.30%
OR 4	27.90%
Future OR	42.70%

PACU OP	19.30%
Workroom/Lounge	15-20%
Patient	32%

Table 2.2 Max Z_p Values for Spaces in AHU Set 2

Table 2.2 shows the max Z_p values for AHU Set 2. This set is the same as AHU Set 1, it contains two Haakon units that each produce 50,000 cfm. The rooms with the highest Z_p are the operating rooms. They each differ in Z_p due to the difference in size, and design supply air. Three of the operating rooms are 100% outdoor air. The four remaining operating rooms do have a mix of return air in the supply air. However, there is still a very high Z_p for these rooms, with 73% being the next highest. The triage, major med, and radiation rooms also have a high Z_p since they also require a lot of outdoor air. The workrooms and lounges also have a higher Z_p due to the fact that each space has a high occupant density.

Max Z_p AHU-3 Values	
Room Type	Z_p
Conference	17-20%
Meditation	38.90%
Chute Rm	28.60%
Family Waiting	20.60%
Triage	21.80%
Ultrasound	24%
Major Med	24.60%
Basement Nursery	25%
Cardio Reading	18%
Flouro	26%
OB On Call	27%
Surgery Training	32%
LDR	32%
PREP	23%
Patient	26%
Recovery	31%
Special Infant Room	26%

Table 2.3 Max Z_p Values for Spaces in AHU Set 3

Table 2.3 shows the max Z_p values for AHU Set 3. This particular set supplies a much larger area than the previous two. This set contains six AHU units that provide 75,000 cfm each. The max Z_p level for this set is the meditation room. This is because it has numerous people and was modeled after an aerobics room in the ASHRAE Table 6-1 table. Much like AHU Set 2, there are a couple spaces that require more outdoor air than normal since they are surgery/clean rooms. These include the triage, major med, ultrasound, and the prep room. All of these values are around 25%. Like the family waiting rooms, the conference rooms also require a larger fraction of outdoor air due to the large population that it is designed for. The Z_p of the patient rooms is also important to note. There are 313 patient rooms on this AHU set, and each patient room has a Z_p of 25–31%, depending on the size and function. These are high because patient comfort and health are a major factor for the design of the hospital. An increase in outdoor air will make the air cleaner and fresher for the patients.

Std 62.1 Conclusion

AHU Unit Conclusion					
	Overall System Z_p	Max Z_p^*	E_v	V_{ou}	V_{ot}
AHU-1	17.1%	46.0%	0.69	16706	24211.6
AHU-2	24.0%	32.0%	0.82	21211	25867.1
AHU-3	29.0%	32.0%	0.82	69839	85169.5
* May not be highest Z_p value for each zone					

Table 2.4 AHU System Values

Table 2.4 above shows the final values for all three AHU sets. It is important to note that the actual highest value of Z_p was not chosen. This is due to the fact that the hospital has specialty rooms that require a large amount of outdoor air. Choosing the absolute highest Z_p would be misleading in terms of figuring out the overall system efficiency. For example, AHU Set 2 has operating rooms that have a 100% Z_p and a 73% Z_p . These are only a couple rooms out of 500, and once again are specialty rooms. The E_v of AHU Set 2 and 3 are both high due to the lower max Z_p values. Both these values were for the patient rooms. Finally the final V_{ot} was calculated for each system.

The design supply air does not include the design outdoor air in the room schedules. When adding the V_{ot} to the supply air for AHU Set 1, the total value was 122,091 cfm. This is important to note because AHU Set 1 can only produce 100,000 cfms, meaning that by AHSRAE standards this system is undersized. This could be because ASHRAE codes were not used in the analysis in this building. Instead IMC 2003 and AIA 2001 were used to determine ventilation rates. AHU Set 2 has the same problem; it is undersized by about 16000 cfm when using ASHRAE standards. AHU Set 3 is actually oversized. It can produce a total of 450,000 cfms; meanwhile only 325,749 cfms are required. There is a reason for this however. Almost all of the hospitals mechanical equipment is designed to have additions in the future. There are plans to add an additional chiller and boilers. The same is being done for additional spaces in the building. AHU Set 3 was designed to be able to handle the additional cooling and heating loads that will occur when new additions are put in place.

Values for all of the spaces can be seen in Appendix A at the end of the tech report. When looking at the Z_p value it is important to note that the design supply air does not include outdoor air. For this reason I added the calculated outdoor air to the supply air when calculating Z_p , making the equation $V_{bz} / (V_{bz} + SA)$. For this reason many of the spaces may have a 100% outdoor air fraction due to the fact that ASHRAE requires outdoor air in these spaces, but the design calls for no supply air.

ASHRAE Std 90.1

Section 5

The Virtua Replacement Hospital is located in Voorhees NJ, which is in climate zone 4A as seen in the ASHRAE Table B1.

As seen in Table 2.1 the vertical fenestration is over the limit set by ASHRAE. However, it is only over by 3%, and the type of glass used has a U-Value that is well below the max. For this reason it was decided that the Prescriptive Building Envelope Compliance Path was an acceptable path to follow.

As seen in Table 2.1 the building envelope complies with all of the standards of Section 5.4. Roof type 1 is the standard roof used on the hospital and it does meet the minimum R-Value. Roof type 2 is a green roof. The construction is the same as Roof Type 1, except it has an additional soil barrier and 4" of soil, thus giving it a higher overall R-Value.

Figure 2.1(Wall Type 1) and 2.2 (Wall Type 2) show the two main exterior wall constructions used in the building. Wall Type 1 consists of stone veneer panels, while Wall Type 2 consists of composite metal panels. As seen in Table 2.1 below, both comply with code.

The exterior envelope of the hospital consists of a large amount of glass as seen by the fenestration percentage. Many types of glass are used throughout the building, but there are three main types that were analyzed. Curtain Wall 1 consists of a clear Low e glass $\frac{1}{4}$ " panel, followed by a $\frac{1}{2}$ " air space, and then another $\frac{1}{4}$ " Low e panel for a total U-Value of 0.29. Curtain Wall 2 is a clear heat strengthened $\frac{1}{4}$ " panel, with a $\frac{1}{2}$ " air space, followed by another $\frac{1}{4}$ " heat strengthened panel for a total U-Value of 0.29. Wall Type 3 consists of a silk screened Low e $\frac{1}{4}$ " panel, $\frac{1}{2}$ " airspace, followed by another $\frac{1}{4}$ " Low e panel for a total U-Value of 0.26. All of these values are well below the max U-Value, so the large amount of glass shouldn't be a problem.

Value	Minimum Roof R-Value		Minimum Wall R-Value		Fenestration Max U-value			% Fenestration	Fenestration Max SHGC
Required	R-20		R-9.5		U-0.40			40%	0.4
	<i>Roof Type 1</i>	<i>Roof Type 2</i>	<i>Wall Type 1</i>	<i>Wall Type 2</i>	<i>Curtain Wall 1</i>	<i>Curtain Wall 2</i>	<i>Curtain Wall 3</i>	111530/256908 ft ²	
Designed	R-23	R-28	R-14	R-27	U-0.29	U-.29	U-.26	43%	0.3
Compliance	Yes	Yes	Yes	Yes	Yes	Yes	Yes	No	Yes

Table 2.1 Exterior Envelope Analysis

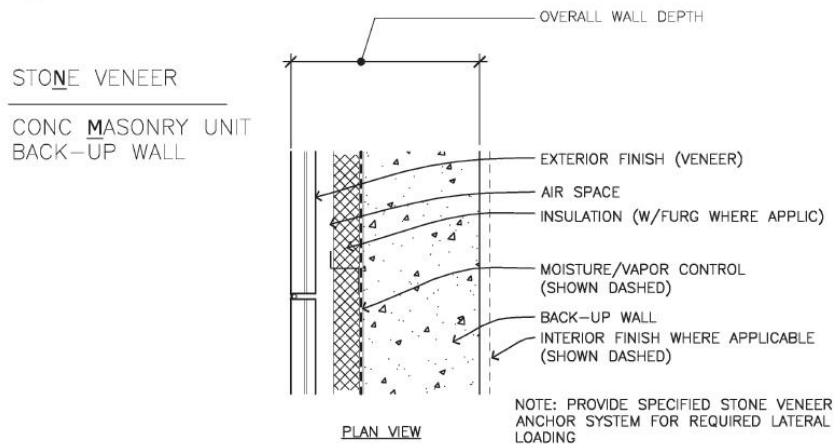


Figure 1.1 Wall Type 1

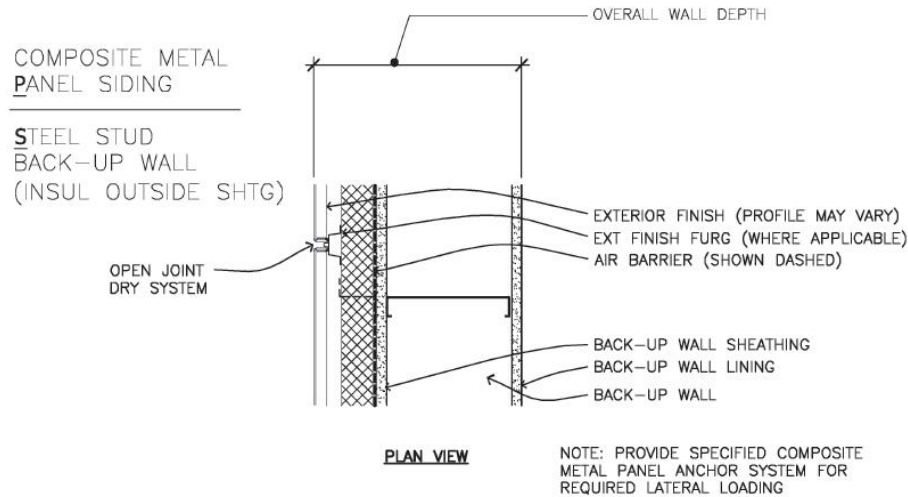


Figure 1.2 Wall Type 2

Section 6

Section 6.2 Compliance Path

The Mandatory Provisions and Prescriptive Path shall be used for this analysis due to the large size of the building.

Section 6.4 Mandatory Provisions

Thermostatic controls will control the supply of heating and cooling energy that reaches each zone. The thermostats used will be very accurate with an accuracy of $\pm 1^\circ$ F. Since this is a hospital and many spaces are used 24/7 there is not a scheduled stop and start time for the system. For spaces that do run 24/7, there are occupancy sensors that are capable of shutting the supply air off when no one is in the room for a certain amount of time. The heating controls will have the option to automatically restart and operate the system to maintain zone temperatures above a heating set point down to 55°F.

All exhaust ducts are equipped with dampers that will allow them to be shut when not in use. The maximum damper leakage is 1 cfm/ft² which is well below the maximum damper leakage.

Section 6.5 Prescriptive Path

Table 2.2 shows the Fan Power Limitation for the supply air fans. As seen below none of the supply fans comply with this standard. This is likely due to the extra pressure drops due to the higher rated filters. Many of the filters are 13, 14, and 17 MERV filters so the supply fan motors must be more powerful to accommodate the increase in pressure.

Supply Fan Compliance					
Unit	Service	Max CFM	HP	CFM*.0015	Compliance
SF1A-1	AHU-1A	12500	40	18.75	No
SF1A-2		12500	40	18.75	No
SF1A-3		12500	40	18.75	No
SF1A-4		12500	40	18.75	No
SF1B-1	AHU-1B	12500	40	18.75	No
SF1B-2		12500	40	18.75	No
SF1B-3		12500	40	18.75	No
SF1B-4		12500	40	18.75	No
SF2A-1	AHU-2A	12500	40	18.75	No
SF2A-2		12500	40	18.75	No
SF2A-3		12500	40	18.75	No
SF2A-4		12500	40	18.75	No
SF2B-1	AHU-2B	12500	40	18.75	No
SF2B-2		12500	40	18.75	No
SF2B-3		12500	40	18.75	No
SF2B-4		12500	40	18.75	No
SF3A-1	AHU-3A	18750	50	28.125	No
SF3A-2		18750	50	28.125	No
SF3A-3		18750	50	28.125	No
SF3A-4		18750	50	28.125	No
SF3B-1	AHU-3B	18750	50	28.125	No
SF3B-2		18750	50	28.125	No
SF3B-3		18750	50	28.125	No
SF3B-4		18750	50	28.125	No
SF3C-1	AHU-3C	18750	50	28.125	No
SF3C-2		18750	50	28.125	No
SF3C-3		18750	50	28.125	No
SF3C-4		18750	50	28.125	No
SF3D-1	AHU-3D	18750	50	28.125	No

SF3D-2		18750	50	28.125	No
SF3D-3		18750	50	28.125	No
SF3D-4		18750	50	28.125	No
SF3E-1	AHU-3E	18750	50	28.125	No
SF3E-2		18750	50	28.125	No
SF3E-3		18750	50	28.125	No
SF3E-4		18750	50	28.125	No
SF3F-1	AHU-3F	18750	50	28.125	No
SF3F-2		18750	50	28.125	No
SF3F-3		18750	50	28.125	No
SF3F-4		18750	50	28.125	No

Table 2.2 Supply Fan Compliance

Tables 2.3 and 2.4 show the Fan Power Limitation for the return and exhaust fans. All but one of the exhaust fans comply with the standard, meanwhile all of the return fans comply.

Return Fan Compliance					
Tag	Service	Max CFM	HP	CFM*0.0015	Compliance
RF-1A	BED TOWER	66,660	40	99.99	Yes
RF-1B	BED TOWER	66,660	40	99.99	Yes
RF-1C	BED TOWER	66,660	40	99.99	Yes
RF-1D	BED TOWER	66,660	40	99.99	Yes
RF-2A	ANCILLARY	50,000	25	75	Yes
RF-2B	ANCILLARY	50,000	25	75	Yes
RF-3A	ANCILLARY	50,000	25	75	Yes
RF-3B	ANCILLARY	50,000	25	75	Yes
RF-4A	OR/C-SECION	17,590	10	26.385	Yes
RF-4B	OR/C-SECION	17,590	10	26.385	Yes

Table 2.3 Return Fan Compliance

Exhaust Fan Compliance					
Tag	Service	Max CFM	HP	CFM*0.0015	Compliance
EF-1	GENERAL	1300	1/3	1.95	Yes
EF-2	HAZARDOUS EXHAUST	400	1/4	0.6	Yes
1F-3	DECONTAM	500	1/8	0.75	Yes
1F-4	CHILLER RM PURGE	5800	7-1/2	8.7	Yes
1F-5	D&T GEN EXHAUST	2700	15	4.05	No
1F-6	D&T ALL EXHAUST	5025	3	7.5375	Yes
1F-7	SOUTH CHUTE RM	1060	1/2	1.59	Yes
1F-8A	LAB	11360	15	17.04	Yes
1F-8B	LAB	11360	15	17.04	Yes
1F-9	ELEV MACH RM	2000	1/3	3	Yes
1F-10	PHARMACY	2500	2	3.75	Yes
1F-11	NUCLEAR MEDICINE	2460	1	3.69	Yes
1F-12	GB411,GB412	1700	3/4	2.55	Yes
1F-13	BF441 OVEN	900	1/2	1.35	Yes
1F-14	GB420 OVEN	650	1/2	0.975	Yes
1F-15	MRI ROOM PURGE	1200	3/4	1.8	Yes
1F-17	GF441 HOOD	18000	7-1/2	27	Yes
1F-18	GF440 HOOD	7500	5	11.25	Yes
1F-19	GF420 HOOD	7000	3	10.5	Yes
1F-20	GB420 HOOD	4100	2	6.15	Yes
1F-21	BT ALL EXHAUST	22000	15	33	Yes
1F-22	BT GENERAL EXHAUST	50000	30	75	Yes
1F-23	BT CHUTE RM	750	3/4	1.125	Yes
1F-25	ADULT ED&Peds ED	22000	15	33	Yes
1F-26	GE211 DRYER	1200	1/3	1.8	Yes
1F-27	MECH RM	1000	1/4	1.5	Yes
1F-28	MORGUE	800	1	1.2	Yes
1F-29	MECH RM	1000	1/4	1.5	Yes
1F-30	MECH RM	1000	1/4	1.5	Yes
1F-31	HSKPG	75	54watt	0.1125	Yes

Table 2.4 Exhaust Fan Compliance

Section 6.7 Submittals

All systems are to be tested to ensure that the controls are calibrated and are in working order.

Section 6.8 Minimum Equipment Efficiency Tables

All systems were analyzed based on the tables in Section 6.8. As seen in Table 2.5, all three centrifugal chillers are compliant. The COP and NPLV were calculated based on the full load and part load KW/Ton values.

Chiller Schedule								
Tag	Cooling Capacity	Type	Full Load KW/Ton	Part Load KW/Ton	Minimum COP	Minimum NPLV	Actual COP	Actual NPLV
CH-1	1000 TON	CENTRIFUGE	0.611	0.501	5.6	6	5.8	7
CH-2	1000 TON	CENTRIFUGE	0.611	0.501	5.6	6	5.8	7
CH-3	1000 TON	CENTRIFUGE	0.611	0.501	5.6	6	5.8	7

Table 2.5 Chiller Compliance

Table 2.6 shows that all four steam boilers are compliant with the standards. The multi-port boilers surpass the minimum efficiency; meanwhile the flex tube boilers just meet the requirements. All four boilers run on natural gas.

Steam Boiler Schedule						
Tag	Type	Capacity (BTU/hr)	Fuel	Minimum Efficiency	Boiler Efficiency	Compliance
B-1	MULTI PORT	1,340,000	NG	75	80	Yes
B-2	MULTI PORT	1,340,000	NG	75	80	Yes
B-4	FLEXTUBE	9,614,500	NG	80	80	Yes
B-5	FLEXTUBE	9,614,500	NG	80	80	Yes

Table 2.6 Boiler Compliance

Table 2.7 shows that the cooling towers are also well above the required minimum requirements specified in Section 6.8.

Cooling Tower Compliance					
Tag	Fan Motor HP	Required Minimum GPM	Required Minimum GPM	Flow	Compliance
CT-1	120	20 gpm/hp	2400	9000	Yes
CT-2	120	21 gpm/hp	2400	9000	Yes
CT-3	120	22 gpm/hp	2400	9000	Yes

Table 2.7 Cooling Tower Compliance

The final system analyzed was the condensing boilers. As seen in Table 2.8 they all comply with the standard.

Condensing Boiler							
Tag	Capacity (BTU/hr)	HP	Max Flow	Fuel	Required Minimum Efficiency	Boiler Efficiency	Compliance
B-7	2780000	87	350	NG	82%	87%	Yes
B-8	2780000	87	350	NG	82%	87%	Yes
B-9	2780000	87	350	NG	82%	87%	Yes
B-10	2780000	87	350	NG	82%	87%	Yes
B-11	2780000	87	350	NG	82%	87%	Yes
B-12	2780000	87	350	NG	82%	87%	Yes

Table 2.8 Condensing Boiler Compliance

Section 7

Domestic Hot Water is supplied by three shell and tube 10,041 MBH heat exchangers, as well as the steam boilers. Each heat exchanger has an efficiency of 88%, which is well above the 80% required.

Section 9

The method used to calculate the lighting density was to find the total wattage serving the lights and then divide it by the square footage. Table 3.1 shows the fixtures used in the building along with the wattage of each one. According to Section 9 Table 9.5.1 there should be no more than 1.2 W/ft² for a hospital. This hospital has a .6 W/ft² for lighting. This is well below the limit for hospital. The reason for this is not only the use of energy efficient lights, but because of the significant use of daylight. The patient rooms all utilize a significant amount of daylight and because of this the amount of light needed is greatly diminished.

Wattage				
Tag	#	Type	W	Total W
DF1	743	6" FLO	44	32692
MF2	409	2X4 FLO	93	38037
LF4	1904	2X4 FLO	105	199920
JF12	540	4X4 FLO	93	50220
JF6	210	12 FOOT	122	25620
CF1	588	4 FOOT	70	41160
TOTAL				387649

Table 3.1 Lighting Power Density

Std 90.1 Conclusion

The building complies with Std 90.1 for the most part. The chillers, boilers, and cooling towers are all above the required efficiencies. All of the supply fans did not comply, however this is most likely due to the increase in pressure due to the filters being used. The remaining exhaust and return fans all did comply with code except for one exhaust fan.

The building does an exceptional job with its exterior envelope, especially considering the amount of glass that is being used. The glass U-Values were well

below the max, and the R-Values were all much higher than required. The lighting density was also very good. It was well below the max value for a hospital. This is definitely due to the fact that the hospital makes great use of natural day lighting.

References

ASHRAE Std 62.1-2007

ASHRAE Std 90.1-2007

Bill Swanson, Turner Construction

HGA Architects & Engineers

APPENDIX A

Occ. – Design Number of Occupants

O.A. – Outdoor Air

S.A. – Supply Air

E.A. – Exhaust Air

AHU SET - 1

RM. No.	RM. Name	Area (ft2)	Height (ft)	ASHRAE 62.1 Section 6							Design Conditions				
				Rp	Ra	E.A.	Vbz	Voz & Vot	Zp	Occ.	O.A at Max S.A.	Max S.A.	Min S.A.	O.A. at Min S.A.	E.A.
GB400	DINING	2204	9	7.5	0.18		1551.72	1551.72	100.0%	154	3080				
GB401	DINING	1971	9	7.5	0.18		1389.78	1389.78	45.6%	138	2760	1660	1660	2760	
GB402	DINING	468	10	7.5	0.18		331.74	331.74	27.7%	33	660	865	865	660	
GB403	COFFEE SHOP	260	8	5	0.06		25.6	25.6	100.0%	2	30				
GB410	TRAY RETURN	198	9		0.12		23.76	23.76	0.4%			5740	5740		0
GB411	WASH ROOM	450	9		0.12		54	54	100.0%						1000
GB412	CART WASH	100	9		0.12		12	12	100.0%						200
GB413	CLEAN DISHES	550	9		0.12		66	66	100.0%						
GB420	SERVERY	1177	9		0.12		141.24	141.24	5.2%			2565	2565		
GB420	SERVERY GRILLE	800	9		0.12	0.3	96	96	2.7%			3415	3435		2700
GB420	SERVERY CHEF	665	9		0.12		79.8	79.8	3.7%			2100	2100		
GB420	SERVERY SALADS	374	9		0.12		44.88	44.88	1.1%			4040	4040		3300
GB420	SERVERY PREMADE	360	9		0.12		43.2	43.2	1.8%			2375	2375		540
GB420	DELI	473	9		0.12		56.76	56.76	100.0%						
GB420	SERVERY CONDIMENTS	51	9		0.12		6.12	6.12	100.0%						
GB429	CAFÉ MNGR	63	8	5	0.06		8.78	8.78	3.7%	1	20	230	230	20	
GB430	CASH AREA	50	8	7.5	0.12		21	21	8.4%	2	30	230	230	30	
GB431	HSKP	39	9		0.12	1	4.68	4.68	100.0%						
GD001	CORRIDOR	360	9		0.06		21.6	21.6	5.1%			405	100		
GD002	CORRIDOR	535	9		0.06		32.1	32.1	5.7%			530	150		
GD003	CORRIDOR	390	9		0.06		23.4	23.4	3.6%			620	250		
GD101	TLT	56	8			50	0								75
GD102	HSKP	39	9		0.12	1	4.68	4.68	100.0%						50
GD103	ELEC	200	15.3		0.06		12	12	0.8%			1425			
GD105	TOILET	50	8			50	0								75
GD200	PASSAGE	310	9		0.06		18.6	18.6	5.8%			300	150		
GD201	WAITING	108	8	5	0.06		61.48	61.48	100.0%	11	165				
GD202	VP OFFICE	195	8	5	0.06		31.7	31.7	10.5%	4	80	270	270	80	

GD203	VP OFFICE	190	8	5	0.06	31.4	31.4	100.0%	4	80			
GD204	VP OFFICE	190	8	5	0.06	31.4	31.4	8.2%	4	80	350	175	40
GD205	CONFERENCE	290	8	5	0.06	92.4	92.4	100.0%	15	300			
GD206	EXEC PAYROLL	135	8	5	0.06	18.1	18.1	6.2%	2	40	275	100	15
GD209	QUALITY MGR	140	8	5	0.06	18.4	18.4	100.0%	2	40			
GD210	FILES/STORAGE	140	9		0.12	16.8	16.8	100.0%					
GD211	ADMIN WRK STATIONS	110	9	7.5	0.06	14.1	14.1	100.0%	1	20			
GD212	RECEPTION	110	8	5	0.06	41.6	41.6	100.0%	7	105			
GD215	TLT	50	8			50	0						75
GD220	PASSAGE	160	9		0.06	9.6	9.6	2.1%			440	125	
GD221	DIRECTOR FINANCE	200	8	5	0.06	27	27	100.0%	3	60			
GD222	FINANCE CONF	160	8	5	0.06	39.6	39.6	100.0%	6	120			
GD223	FINANCIAL ANALYSTS	200	8	5	0.06	27	27	100.0%	3	60			
GD300	WAITING	150	9	5	0.06	39	39	14.8%	6	90	225	75	30
GD301	NURSE ADMIN WRKSTA	210	9	7.5	0.06	35.1	35.1	100.0%	3	60			
GD302	STAFFING ANALYSTS	130	9	5	0.06	17.8	17.8	100.0%	2	40			
GD303	ADMIN SUPERVISOR	145	8	5	0.06	18.7	18.7	100.0%	2	40			
GD304	PASSAGE	95	9		0.06	5.7	5.7	100.0%					
GD305	ADMIN DIRECTOR	125	8	5	0.06	17.5	17.5	100.0%	2	40			
GD306	PASSAGE	135	9		0.06	8.1	8.1	100.0%					
GD307	NURSE ADMIN WRK	210	8	5	0.06	27.6	27.6	7.9%	3	60	320	250	47
GD308	NURSE ADMIN WRK	130	8	5	0.06	17.8	17.8	100.0%	2	40			
GD309	ADMIN DIRECTOR	125	8	5	0.06	17.5	17.5	100.0%	2	40			
GD310	ADMIN DIRECTOR	120	8	5	0.06	17.2	17.2	100.0%	2	40			
GD311	CONFERENCE	305	9	5	0.06	93.3	93.3	25.7%	15	300	270	100	111
GD312	KITCHEN	115	8	7.5	0.12	43.8	43.8	12.2%	4	60	315	100	19
GD313	TLT	45	8			50	0						75
GD400	BOARD RM ENTRY	58	8		0.06	3.48	3.48	0.4%			960	250	
GD401	BOARD ROOM	740	9	5	0.06	229.4	229.4	100.0%	37	740			
GD450	VOLUNTEER WRK ROM	270	9	5	0.06	86.2	86.2	18.1%	14	280	390	100	72
GD451	SEC WKSTN	56	9	7.5	0.06	25.86	25.86	100.0%	3	60			

GD452	DIRECTOR OFFICE	120	8	5	0.06		17.2	17.2	100.0%	2	40						
GD453	STOR	96	8		0.12		11.52	11.52	100.0%								
GD500	PHYSICIAN LOUNGE	410	9	5	0.06		104.6	104.6	100.0%	16	320						
GD501	TLT	52	8			50	0										75
GD550	MED LIBRARY	750	9	5	0.12		165	165	34.7%	15		310	200				
GD551	QUIET ROOM	86	8	5	0.06		15.16	15.16	100.0%	2	40						
GD552	LIBRARIAN	99	8	5	0.06		10.94	10.94	100.0%	1	20						
GD600	MAIN DIST FRAME	1550	10		0.12		186	186	100.0%								
GD601	PASSAGE	315	9		0.06		18.9	18.9	100.0%								
GD602	SUPPORT WRKSTA	650	9	7.5	0.06		106.5	106.5	100.0%	9	180						
GD603	STOR	150	9		0.12		18	18	100.0%	1							
GD604	TV WORK ROM	150	9	5	0.06		29	29	100.0%	4	80						
GD700	FEMALE LOCKER RM	270	9	10	0.06	0.5	16.2	16.2	4.4%			350	350				
GD701	FEMALE TLT RM	95	9			50	0										150
GD705	MALE LOCKER RM	270	9	10	0.06	0.5	16.2	16.2	100.0%								
GD706	MALE TLT	95	9			50	0										150
GD707	M SHWR	170	8		0.5	0.5	85	85	100.0%								75
GD710	F SHWR	170	8		0.5	0.5	85	85	100.0%								75
GD800	WAITING	130	9	5	0.06		72.8	72.8	100.0%	13	195						
GD802	CONFERENCE	110	8	5	0.06		36.6	36.6	100.0%	6	120						
GD803	PASSAGE	215	9		0.06		12.9	12.9	100.0%								
GD804	DIRECTOR OFFICE	120	8	5	0.06		17.2	17.2	100.0%	2	40						
GD805	HIM WRKSTA	495	9	7.5	0.06		67.2	67.2	9.4%	5	120	650	200				37
GD807	CODING ROOM	365	8	5	0.06		46.9	46.9	19.4%	5	100	195	59				30
GD810	PASSAGE	235	9		0.06		14.1	14.1	100.0%								
GD811	SCANNING	280	8	5	0.06		36.8	36.8	100.0%	4	80						
GD812	KITCHEN	50	8	7.5	0.12	0.3	6	6	100.0%								
GD813	ACTIVE RECORDS	165	8		0.12		19.8	19.8	100.0%								
GD814	RECORDS STRORAGE	455	9		0.12		54.6	54.6	22.3%			190	57				
GD815	AUDITING	48	7.2	5	0.06		12.88	12.88	100.0%	2	40						
GD816	CHARTING	65	7.2	5	0.06		18.9	18.9	100.0%	3	60						

GD817	ASST DIR OFFICE	115	8	5	0.06	16.9	16.9	100.0%	2	40			
GD900	PASSAGE	11	9		0.06	0.66	0.66	100.0%					
GD902	SECRETARY	59	8	5	0.06	8.54	8.54	0.9%	1	20	965	250	5
GD903	MANAGER OFFICE	115	8	5	0.06	16.9	16.9	100.0%	2	40			
GD904	CASE MGMT WRKSTA	150	9	5	0.06	24	24	100.0%	3	60			
GD905	WORK COPY KITCH	85	8		0.12	10.2	10.2	100.0%					
GE001	CORRIDOR	560	9		0.06	33.6	33.6	5.6%			565	565	
GE002	CORRIDOR	550	9		0.06	33	33	11.3%			260	260	
GE004	CORRIDOR	130	9		0.06	7.8	7.8	100.0%					
GE005	CORRIDOR	425	9		0.06	25.5	25.5	4.7%			515	515	
GE006	ELEV LOBBY	425	9		0.06	25.5	25.5	100.0%					
GE007	CORRIDOR	430	9.3		0.06	25.8	25.8	5.9%			410	410	
GE008	CORRIDOR	670	9.3		0.06	40.2	40.2	100.0%					
GE010	CORRIDOR	460	9.3		0.06	27.6	27.6	100.0%					
GE101	ELECTRICAL ROOM	155	15.3		0.06	9.3	9.3	0.8%			1190		
GE102	MAIL RM	160	9		0.12	19.2	19.2	100.0%	2	40			
GE201	SECRETARY WORKSTATION	55	9	5	0.06	8.3	8.3	100.0%	1	20			
GE202	DIRECTOR OFFICE	100	8	5	0.06	16	16	100.0%	2	40			
GE203	EVS WRK STATIONS	395	9	5	0.06	43.7	43.7	100.0%	4	80			
GE204	SUPPORT SERV MTG RM	140	9	5	0.06	38.4	38.4	100.0%	6	120			
GE210	EQUIP AND CHEM STRG	225	9		0.12	1	27	2.1%			1260	1260	
GE211	WASH/DRY RM	100	9		0.12	12	12	100.0%					
GE212	HSKG STRG	470	9		0.12	1	56.4	100.0%					1200
GE213	CLEAN LINEN	1130	9.5		0.12	135.6	135.6	100.0%					
GE214	BOXED LINEN	90	9.5		0.21	18.9	18.9	100.0%					
GE300	PASSAGE	90	9		0.06	5.4	5.4	100.0%					
GE301	ELECTRICAL ROOM	105	15.3		0.06	6.3	6.3	0.8%			750		75
GE302	CHEM PACK	105	9	5	0.06	11.3	11.3	100.0%	1				
GE305	ET NURSE OFFICE	135	8	5	0.06	18.1	18.1	100.0%	2	40			
GE310	LINEN TRASH ROOM	190	9		0.12	1	22.8	10.2%			200	200	300
GE401	TELECOM ROOM	147	15.3		0.06	8.82	8.82	1.4%			600		600

GE450	ELECTRICAL ROOM	180	15.3	0.06	10.8	10.8	0.8%				1280		
GE501	TELECOM ROOM	240	15.3	0.06	14.4	14.4	2.3%				610		
GF001	CORRIDOR	1150	9	0.06	69	69	100.0%						
GF002	CORRIDOR	465	9	0.06	27.9	27.9	6.5%				400	400	
GF003	CORRIDOR	435	8	0.06	26.1	26.1	4.7%				535	535	510
GF100	SECURITY	115	9	5	0.06	16.9	16.9	8.6%	2	40	180	180	40
GF101	OFFICE MGR/ UNIFORM	85	8	5	0.06	10.1	10.1	100.0%	1	20			
GF102	STORAGE	62	8		0.12	7.44	7.44	100.0%					
GF103	LOST & FOUND	44	8		0.12	5.28	5.28	100.0%					
GF104	VESTIBULE	91	9	5	0.06	5.46	5.46	100.0%					
GF106	CS STAGING	395	9		0.12	47.4	47.4	100.0%					
GF107	CS SOILED CART HOLD	105	8		0.12	1	12.6	12.6	100.0%				150
GF108	ELEVATOR MACHINE RM	96	8		0.12	11.52	11.52	0.9%			1235		1235
GF109	REFRIG COMPRESS	100	8		0.12	12	12	2.5%			470		
GF110	TELECOM ROOM	125	15.3	0.06	7.5	7.5	1.2%				600		
GF111	ELEC	145	15.3	0.06	8.7	8.7	0.8%				1040		
GF201	CORRIDOR	265	9		0.06	15.9	15.9	6.9%			215	215	
GF202	CORRIDOR	140	9		0.06	8.4	8.4	100.0%					
GF203	CORRIDOR	385	9		0.06	23.1	23.1	8.6%			245	245	
GF204	CORRIDOR	108	9		0.06	6.48	6.48	100.0%					
GF210	COURIER OUTREACH	121	8	5	0.06	17.26	17.26	100.0%	2	40			
GF211	QUALITY MNGR OFFICE	110	8	5	0.06	11.6	11.6	100.0%	1	20			
GF212	POC COORD OFFICE	110	8	5	0.06	11.6	11.6	100.0%	1	20			
GF213	LAB LIS ROOM	110	8	10	0.18	29.8	29.8	9.5%	1	20	285	285	20
GF214	DIRECTOR OPS OFFICE	140	8	5	0.06	18.4	18.4	100.0%	2	40			
GF215	PATH OFFICE	111	8	5	0.06	11.66	11.66	100.0%	1	20			
GF216	PATH OFFICE	111	8	5	0.06	11.66	11.66	100.0%	1	20			
GF217	PATH OFFICE	110	8	5	0.06	11.6	11.6	100.0%	1	20			
GF218	PATH OFFICE	111	8	5	0.06	11.66	11.66	100.0%	1	20			
GF219	PATH OFFICE	110	8	5	0.06	11.6	11.6	100.0%	1	20			
GF220	BUSINESS MNGR OFFICE	110	8	5	0.06	11.6	11.6	8.8%	1	20	120	120	120

GF221	DIRECTOR OFFICE	200	8	5	0.06		27	27	100.0%	3	60					105
GF222	TLT	54	8			50	0									100
GF223	STOR	45	8		0.12		5.4	5.4	100.0%							
GF224	OUTPAT LAB	97	8	10	0.18	1	27.46	27.46	100.0%	1	20					150
GF225	MED SECR	77	9	5	0.06		9.62	9.62	3.5%	1	20	265	80	6		
GF240	STAFF LOUNGE/CONF	525	9	5	0.06		166.5	166.5	25.8%	27	540	480	145	163	480	
GF241	MALE TOILET	185	9			75	0									225
GF242	FEMALE TOILET	185	9			75	0									225
GF243	SHARED LKR RM	196	9	10	0.06	0.5	11.76	11.76	100.0%							200
GF244	LIS COORD WRKSTA	270	9	7.5	0.06		46.2	46.2	21.9%	4	80	165	165	80	190	
GF245	CLASSROOM	215	9	10	0.12		135.8	135.8	46.7%	11	220	155	155	220	210	
GF246	BOB'S OFFICE	180	8	5	0.06		25.8	25.8	100.0%	3	60					100
GF247	OFFICE	450	9	5	0.06		57	57	100.0%	6	120					955
GF263	ALCOVE	75	8		0.06		4.5	4.5	100.0%							
GF264	HSKP	50	8		0.12	1	6	6	100.0%							50
GF265	MGR OFFICE	100	8	5	0.06		16	16	12.7%	2	40	110	110	40		
GF266	MGR OFFICE	98	8	5	0.06		15.88	15.88	100.0%	2	40					
GF268	ALCOVE	65	8		0.06		3.9	3.9	100.0%							
GF269	COLLECTION RECVG OFF	81	8	5	0.06		14.86	14.86	100.0%	2	40					
GF271	MGR OFFICE	82	8	5	0.06		14.92	14.92	10.3%	2	40	130	130	40		
GF272	HISTOLOGY MANAGER	99	8	5	0.06		15.94	15.94	100.0%	2	40					
GF273	PATH ASSIST OFFICE	155	8	5	0.06		19.3	19.3	100.0%	2	40					
GF318	MAIN LAB	4096	9	10	0.18	1	1287.28	1287.28	31.2%	55	1100	2840	2840	1100	1000	
GF319	HIST CYTO	1450	9	15	0.12		459	459	17.9%	19	380	2100	2100	380	6920	
GF320	GROSSING	200	9	5	0.06		27	27	1.5%	3	60	1800	1525	51	500	
GF321	RECYCLING	175	9	5	0.06	1	20.5	20.5	100.0%	2						300
GF322	FROZEN SECTION	225	9	10	0.06		43.5	43.5	100.0%	3						650
GF324	CYTO READ	145	9	10	0.06		48.7	48.7	21.8%	4	80	175	175	80	125	
GF325	BLOCK & SLIDE	368	9	0.5	0.06		24.58	24.58	5.2%	5	100	450	450	100	280	
GF440	TRAY ASSEMBLY	1088	9	15	0.06		1190.28	1190.28	23.4%	75	1125	3900	3900	1125	3150	
GF441	HOT PREP	704	9	7.5	0.06		147.24	147.24	5.1%	14	210	2760	2760	210	9600	

GF442	DIET WRKRM	410	9	5	0.06	64.6	64.6	15.6%	8	160	350	105	48
GF443	TRAY LINE SUPERVISOR	150	9	5	0.06	19	19	100.0%	2	40			
GF444	CALL CENTER	170	9	5	0.06	40.2	40.2	100.0%	6	120			
GF447	PRODUCTION MANAGER	64	8	5	0.06	8.84	8.84	3.2%	1	20	265	80	6
GF449	CATERING STORAGE	128	9		0.12	15.36	15.36	100.0%					
GF455	FILE	96	9		0.12	11.52	11.52	100.0%					
GF456	WORK AREA	312	9	7.5	0.06	48.72	48.72	100.0%	4	80			
GF457	DIRECTOR	144	8	5	0.06	18.64	18.64	5.3%	2	40	330	330	40
GF458	PT SERV MGR	120	8	5	0.06	17.2	17.2	100.0%	2	40			
GF459	INSERVICE	198	9	5	0.06	61.88	61.88	22.0%	10	200	220	75	68
GF465	TRASH	96	9		0.12	11.52	11.52	100.0%					150
GF466	MOP	96	9		0.12	11.52	11.52	100.0%					100
GF468	PURCHASING	88	8	7.5	0.06	12.78	12.78	100.0%	1	20			
GF470	COLD PREP	760	9	7.5	0.06	158.1	158.1	6.7%	15		2215	2215	
GF475	DRY STORAGE	1180	9.5		0.12	141.6	141.6	100.0%					
GF500	PASSAGE	512	9		0.06	30.72	30.72	100.0%					
GF501	PASSAGE	520	9		0.06	31.2	31.2	100.0%					
GF504	PASSAGE	144	9		0.06	8.64	8.64	100.0%					
GF505	PASSAGE	280	9		0.06	16.8	16.8	100.0%					
GF003	CORRIDOR	105	8		0.06	6.3	6.3	100.0%					
GF200	CORRIDOR	200	9		0.06	12	12	100.0%					
GF251	MORGUE	330	9	5	0.12	49.6	49.6	4.7%	2		1000	1000	100
GD252	VIEWING RM	95	9	5	0.06	20.7	20.7	100.0%	3	60			
GF253	HSKPG	30	8		0.12	3.6	3.6	100.0%					50
GF254	LKR SHWR	89	9		0.5	44.5	44.5	100.0%	2				150
GF255	GEN LAB STOR	467	9		0.12	56.04	56.04	100.0%					150
GF260	CLIENT SERVICES	170	9	5	0.06	20.2	20.2	3.7%	2	40	520	40	
GF261	UTILITY RM	120	9		0.06	7.2	7.2	100.0%					190
GF262	BIOHAZ WASTE	125	9		0.12	15	15	100.0%					370
GF310	FLUROSCOPE RM	39	9		0.12	4.68	4.68	100.0%					
GF311	MICRO MGR	98	9	5	0.06	15.88	15.88	100.0%	2	40			

GF312	MOLECULAR MGR	98	9	5	0.06		15.88	15.88	100.0%	2	40			
GF313	CLEAN RM	90	9	5	0.06	1	10.4	10.4	0.6%	1		1860	1860	510
GF315	MOLECULAR RM	340	9	5	0.06		45.4	45.4	100.0%	5				110
GF316	MICROBIOLOGY RM	250	9	5	0.06		30	30	2.0%	3		1440	1440	635
GF317	MICROBIOLOGY	1788	9	10	0.18		561.84	561.84	31.1%	24		1245	1245	2510
GG001	CORRIDOR	810	9		0.06		48.6	48.6	7.3%			615	200	
GG002	CORRIDOR	625	9		0.06		37.5	37.5	6.3%			555	555	
GG003	CORRIDOR	400	9		0.06		24	24	2.3%			1000	400	
GG100	COURIER OFFICE	100	8	5	0.06		16	16	4.9%	2	40	310	150	19
GG102	WORK AREA	380	9	5	0.06		47.8	47.8	100.0%	5	100			
GG103	SUPP SERVICES	100	8	5	0.06		11	11	100.0%	1	20			
GG104	CAGED DEPT STORAGE	395	15.3		0.12		47.4	47.4	100.0%					
GG105	EQUIP AND FURN STORAGE	330	15.3		0.12		39.6	39.6	100.0%					
GG106	FEMALE LOCKER RM	125	9	10	0.06	0.5	7.5	7.5	100.0%					100
GG107	FEMALE TOILET	110	9			75	0							150
GG108	MALE TOILET	115	9			75	0							150
GG109	MALE LOCKER RM	98	9	10	0.06	0.5	5.88	5.88	100.0%					100
GG120	WAITING	51	9	5	0.06		28.06	28.06	100.0%	5	75			
GG121	PASSAGE	120	9		0.06		7.2	7.2	100.0%					
GG122	PLAN ROOM	270	9	5	0.06		36.2	36.2	100.0%	4				
GG123	MANAGER OFFICE	73	8	5	0.06		14.38	14.38	100.0%	2	40			
GG124	DIR MAINT	105	8	5	0.06		16.3	16.3	100.0%	2	40			
GG125	DIR CAMPUS FACILITIES	120	8	5	0.06		17.2	17.2	100.0%	2	40			
GG126	ADMIN WRKSTA	110	9	7.5	0.06		21.6	21.6	100.0%	2	40			
GG127	LOCKSMITH	79	8	5	0.06		9.74	9.74	100.0%	1	20			
GG128	TANK STOR	139	15.3		0.12		16.68	16.68	100.0%					220
GG129	HSKPG	54	8		0.12	1	6.48	6.48	100.0%					50
GG130	HAZ CHEM STORAGE	58	15.3		0.12	1.5	6.96	6.96	100.0%					100
GG131	HOT LAB HOLDING	340	15.3		0.12		40.8	40.8	100.0%					50
GG140	PASSAGE	71	15.3		0.06		4.26	4.26	100.0%					
GG141	SHARED STORAGE	440	15.3		0.12		52.8	52.8	100.0%					

GG142	SHARED SHOPS	620	15.3	7.5	0.06		97.2	97.2	100.0%	8	160			
GG143	MAINT SHOP	390	15.3	7.5	0.06		60.9	60.9	100.0%	5	100			
GG144	CARPENTARY SHOP	375	15.3	7.5	0.06	0.5	52.5	52.5	16.5%	4	80	265	125	38
GG145	RED BAG HOLDING	340	15.3		0.12		40.8	40.8	4.9%			800	440	870
GG150	SOILED LINEN	350	15.3		0.12	1	42	42	3.6%			1135	341	895
GG155	RECEIVING	1256	15.3		0.12		150.72	150.72	11.6%			1150	345	
GG156	BREAK DOWN	155	15.3		0.12		18.6	18.6	100.0%					
GG157	CONSUMABLE SUPPLY STRG	495	15.3		0.12		59.4	59.4	100.0%					
GG158	DELIVERY STAGING	550	15.3		0.12		66	66	100.0%					
GH200	CONTROL ROOM	97	8	5	0.06		10.82	10.82	100.0%	1	20			
GH201	CHILLERS	5585	9		0.12		670.2	670.2	100.0%					
GH202	MAIN SWITCHGEAR	736	9		0.12		88.32	88.32	100.0%					
GH203	FIRE PUMP	295	9		0.06		17.7	17.7	100.0%					
GH204	WATER	2400	15.3		0.06		144	144	100.0%					
GH001	CORRIDOR	1064	9		0.06		63.84	63.84	100.0%					
GH003	CORRIDOR	735	9		0.06		44.1	44.1	100.0%					
1H001	CORRIDOR	1165	9.3		0.06		69.9	69.9	2.2%			3120	1100	2500
1H002	EXIT PASSAGEWAY	187	9.3		0.06		11.22	11.22	100.0%					
1H003	EXIT PASSAGEWAY	105	9.3		0.06		6.3	6.3	100.0%					
1H004	VESTIBULE	75	9.3		0.06		4.5	4.5	100.0%					
1H101	CHILLER PUMPS	2375	15.3		0.12		285	285	100.0%					
1H201	EMERGENCY SWITCHGEAR	2764	9		0.12		331.68	331.68	100.0%					
1H301	NORMAL SWITCHGEAR	2375			0.12		285	285	100.0%					
3H001	CORRIDOR	1204	9		0.06		72.24	72.24	2.3%			3010	1100	
3H002	CORRIDOR	86	9		0.06		5.16	5.16	100.0%					
3H100	SHELL	3553	9				0	0	0.0%	47		850	255	
3H100							0	0	0.0%			850	255	
3H100							0	0	0.0%			3585	1076	
3H101	TELECOM	127	9		0.06		7.62	7.62	1.3%			600	600	
4H001	CORRIDOR	1160	9		0.06		69.6	69.6	2.4%			2800	840	
4H100	SHELL	3553					0	0	0.0%	47		800	240	

4H100						0	0	0.0%			800	240		
4H100						0	0	0.0%			3430	1029		
5E201	ELEVATOR EQUIP. ROOM	276	14		0.12	33.12	33.12	2.3%			1410	1410		1410
5H201	CONTROL ROOM	144	9	5	0.06	18.64	18.64	18.9%	2	40	80	60	30	80

AHU SET - 2

RM. No.	RM. Name	Area (ft2)	Height (ft)	ASHRAE 62.1 Section 6						Design Conditions					
				Rp	Ra	E.A.	Vbz	Voz & Vot	Zp	Occ.	O.A at Max S.A.	Max S.A.	Min S.A.	O.A. at Min S.A.	E.A.
1E001	CORRIDOR	290	9.3		0.06		17.4	17.4	1.5%			1135			100
1E002	CORRIDOR	290	9.3		0.06		17.4	17.4	100.0%						100
1E003	CORRIDOR	490	9.3		0.06		29.4	29.4	4.5%			620	620		
1E004	CORRIDOR	216	8.3		0.06		12.96	12.96	100.0%						
1E005	CORRIDOR	416	9.3		0.06		24.96	24.96	100.0%						175
1E006	CORRIDOR	260	8.3		0.06		15.6	15.6	100.0%						
1E007	CORRIDOR	416	9.3		0.06		24.96	24.96	100.0%						
1E008	CORRIDOR	480	9.3		0.06		28.8	28.8	8.6%			305	305		
1E010	CORRIDOR	608	9.3		0.06		36.48	36.48	4.2%			840	840		
1E101	ELECTRICAL	160	15.3		0.06		9.6	9.6	100.0%						
1E103	SOILED HOLDING	108	8		0.12	1	12.96	12.96	100.0%						150
1E102	CLEAN SUPPLY	108	9		0.12		12.96	12.96	100.0%						
1E104	HSKG	72	8		0.12	1	8.64	8.64	100.0%						100
1E110	GEN RAD	322	9	20	0.18	1	117.96	117.96	22.3%	3	60	410	290	42	450
1E111	US ROOM	224	9	5	0.06		23.44	23.44	6.4%	2	40	340	340	40	285
1E113	TECH WORK	191	9	10	0.12		52.92	52.92	100.0%	3	60				
1E114	GEN RAD ROOM	308	9	20	0.18	1	115.44	115.44	22.0%	3	60	410	275	40	465
1E115	CT CONTROL ROOM	130	9	10	5		670	670	52.8%	2	40	600	200	13	350
1E116	CT EQUIP RM	78	9	20	0.18		14.04	14.04	100.0%						150
1E117	CT EXAM	416	9	10	0.06		24.96	24.96	1.0%			2520	850		2805
1E118	CT TLT	54	8			50	0								300
1E120	PAT TLT	48	8			50	0								75

1F107	TRIAGE	176	9	15	0.18	91.68	91.68	17.6%	4	60	430	430	60	450
1F108	RECP REGIST	10	10.7	5	0.06	15.6	15.6	100.0%	3	45				400
1F109	SECURITY	130	10.7	5	0.06	12.8	12.8	100.0%	1	20				
1F110	MENS TLT	162	9			75	0							225
1F111	WOMENS TLT	140	9			75	0							225
1F120	OBSERVATION	220	9.7	5	0.06	33.2	33.2	14.2%	4	60	200	200	60	200
1F122	FAST TRAK	115	9.7	15	0.06	51.9	51.9	7.3%	3	45	660	515	35	140
1F123	FAST TRAK	115	9.7	15	0.06	51.9	51.9	100.0%	3	45				140
1F124	FAST TRAK	115	9.7	15	0.06	51.9	51.9	100.0%	3	45				140
1F125	FAST TRAK	115	9.7	15	0.06	51.9	51.9	100.0%	3	45				140
1F131	NOURISH	59	9	5	0.06	3.54	3.54	0.9%			400	130		335
1F132	PAT TLT	54	8			50	0							85
1F133	TEAM HUB	200	8	7.5	0.06	49.5	49.5	10.3%	5	100	430	235	55	
1F133						0								
1F134	MEDS	66	9	15	0.18	11.88	11.88	100.0%						
1F135	LAB	66	9	10	0.18	1	21.88	21.88	100.0%	1				
1F136	PAT TLT	54	8			50	0							85
1F137	EQUIP STRG	82	9		0.12	9.84	9.84	100.0%						
1F140	FAST TRAK	115	9	5	0.06	21.9	21.9	5.0%	3	45	420	310	33	140
1F141	FAST TRAK	115	9	5	0.06	21.9	21.9	100.0%	3	45				140
1F142	FAST TRAK	115	9	5	0.06	21.9	21.9	100.0%	3	45				140
1F413	FAST TRAK	115	9	5	0.06	21.9	21.9	5.0%	3	45	420	310	33	140
1F144	FAST TRAK	115	9	5	0.06	21.9	21.9	100.0%	3	45				140
1F145	FAST TRAK	115	9	5	0.06	21.9	21.9	100.0%	3	45				140
1F151	PASSAGE	335	9		0.06	20.1	20.1	100.0%						
1F152	PASSAGE	170	9		0.06	10.2	10.2	100.0%						
1F153	PASSAGE	335	9		0.06	20.1	20.1	100.0%						
1F201	PASSAGE	120	9		0.06	7.2	7.2	100.0%						
1F202	PASSAGE	210	8		0.06	12.6	12.6	2.5%			500	500		
1F203	PASSAGE	480	9		0.06	28.8	28.8	6.0%			450	450		
1F204	PASSAGE	595	9		0.06	35.7	35.7	100.0%						

1F205	PASSAGE	505	9	0.06		30.3	30.3	5.2%			555	555		
1F206	PASSAGE	505	9	0.06		30.3	30.3	16.8%			150	45		
1F207	PASSAGE	505	9	0.06		30.3	30.3	3.3%			880	880		
1F207						0								
1F208	PASSAGE	350	9	0.06		21	21	100.0%						
1F209	PASSAGE	450	9	0.06		27	27	100.0%						
1F210	PASSAGE	320	9	0.06		19.2	19.2	100.0%						
1F230	SOILED HOLDING	125	8	0.12	1	15	15	100.0%						200
1F231	STAFF TOILET	48	8		50	0								75
1F232	MAJOR MED	140	10	15	0.18	70.2	70.2	20.3%	3	45	275	275	45	140
1F233	MAJOR MED	135	10	15	0.18	69.3	69.3	100.0%	3	45				135
1F234	PAT TLT	60	8		50	0								75
1F235	CLEAN LINEN	129	9	0.12		15.48	15.48	100.0%						125
1F236	HSKG	60	8	0.12	1	7.2	7.2	100.0%						100
1F237	MAJOR MED	136	10	15	0.18	69.48	69.48	9.3%	3	45	675	675	45	135
1F238	MAJOR MED	135	10	15	0.18	69.3	69.3	100.0%	3	45				135
1F239	MAJOR MED	135	10	15	0.18	69.3	69.3	100.0%	3	45				135
1F240	MAJOR MED	135	10	15	0.18	69.3	69.3	100.0%	3	45				135
1F245	MAJOR MED	135	10	15	0.18	69.3	69.3	100.0%	3	45				135
1F246	PHYSICIAN CHARTING	105	9	5	0.06	21.3	21.3	100.0%	3	60				75
1F247	SOILED HOLDING	96	8	0.12	1	11.52	11.52	100.0%						150
1F248	MAJOR MED / GYN	150	10	15	0.18	72	72	100.0%	3	45				150
1F249	PAT TLT	79	8			0								100
1F250	MAJOR MED	140	10	15	0.18	70.2	70.2	19.0%	3	45	300	300	45	150
1F251	EQUIP STRG	110	9	0.12		13.2	13.2	100.0%						40
1F252	NOURISH	65	9	5	0.06	3.9	3.9	100.0%						325
1F253	TEAM HUB	290	8	7.5	0.06	47.4	47.4	100.0%	4	80				150
1F254	MEDS	96	9	15	0.18	17.28	17.28	100.0%						40
1F255	LAB	66	9	10	0.18	1	21.88	21.88	100.0%	1				85
1F260	MAJOR MED	135	10	15	0.18	69.3	69.3	14.6%	3	45	405	405	45	135
1F261	MAJOR MED	130	10	15	0.18	68.4	68.4	100.0%	3	45				135

1F262	MAJOR MED	130	10	15	0.18	68.4	68.4	100.0%	3	45					135
1F263	MAJOR MED	130	10	15	0.18	68.4	68.4	100.0%	3	45					135
1F264	MAJOR MED	130	10	15	0.18	68.4	68.4	100.0%	3	45					135
1F265	TRAUMA	265	10.5	10	0.18	107.7	107.7	13.3%	6	90	700	700	90		175
1F265						0									200
1F270	PAT TLT		8			50	0								75
1F271	MAJOR MED	135	10	15	0.18	69.3	69.3	14.6%	3	45	405	405	45		135
1F272	MAJOR MED	130	10	15	0.18	68.4	68.4	100.0%	3	45					135
1F273	MAJOR MED	130	10	15	0.18	68.4	68.4	100.0%	3	45					135
1F274	MAJOR MED	130	10	15	0.18	68.4	68.4	11.2%	3	45	540	540	45		135
1F275	MAJOR MED	130	10	15	0.18	68.4	68.4	100.0%	3	45					135
1F276	TRAUMA	265	10.5	10	0.18	107.7	107.7	13.3%	6	90	700	700	90		175
1F276						0									200
1F277	CLEAN LINEN	135	9		0.12	16.2	16.2	100.0%							
1F278	EQUIP STRG	125	9		0.12	15	15	100.0%							
1F279	TEAM HUB	160	8	7.5	0.06	39.6	39.6	4.7%	4	80	810	810	80		140
1F280	LAB	65	9	10	0.18	1	21.7	21.7	100.0%	1					85
1F285	MEDS	65	9	15	0.18	11.7	11.7	100.0%							50
1F286	NOURISH	65	9	5	0.06	3.9	3.9	100.0%							335
1F287	EQUIP STRG	110	9		0.12	13.2	13.2	100.0%							50
1F288	TEAM HUB	160	8	7.5	0.06	39.6	39.6	100.0%	4	80					150
1F289	EQUIP STRG	100	9		0.12	12	12	100.0%							
1F290	MAJOR MED	140	10	15	0.18	70.2	70.2	19.0%	3	45	300	280	42		190
1F291	MAJOR MED	140	10	15	0.18	70.2	70.2	100.0%	3	45					190
1F292	ALL MAJOR MED	140	10	15	0.18	70.2	70.2	7.7%	3	45	840	840	45		315
1F293	ALL MAJOR MED	140	10	15	0.18	70.2	70.2	100.0%	3	45					315
1F294	ALL MAJOR MED	140	10	15	0.18	70.2	70.2	100.0%	3	45					315
1F295	AMBULANCE VEST	83	8	5	0.06	4.98	4.98	100.0%							
1F296	HSKG	57	8		0.12	1	6.84	6.84	100.0%						100
1F297	DECONTAM	192	9	10	0.18	1.5	74.56	74.56	100.0%	4	60				500
1F298	EQUIP STRG	192	9		0.12	23.04	23.04	10.3%			200	75			160

1F299	FIRE CONTROL	192	9	5	0.06	11.52	11.52	100.0%						
1F401	EMS STF TLT	50	8			50	0							75
1F402	EMS COMM EQUIP	79	9		0.06	4.74	4.74	0.9%			500			500
1F403	TRANSCRIPT	115	9	5	0.06	16.9	16.9	100.0%	2	40				75
1F404	STAFF TOILET	46	8			50	0							75
1F405	STAFF TOILET	46	9			50	0							75
1F406	STAFF TOILET	55	8			50	0							
1F407	ED STAFF LOCKER RM	230	9	10	0.06	13.8	13.8	7.7%			165	165		150
1F408	ON CALL ROOM	96	9	5	0.06	10.76	10.76	100.0%	1	20				
1F409	ON CALL TLT	59	8			50	0							100
1F410	ED APN	93	9	5	0.06	15.58	15.58	100.0%	2	40				100
1F415	EDUCATION/LOUNGE	230	9	10	0.12	147.6	147.6	33.0%	12	240	300	100	80	300
1F416	ASST NURSE MGR	115	9	5	0.06	21.9	21.9	3.5%	3	60	600	600	60	
1F416						0								
1F417	MEDICAL DIR OFFICE	110	9	5	0.06	16.6	16.6	100.0%	2	40				
1F418	EXEC ASST OFFICE	81	9	5	0.06	9.86	9.86	100.0%	1	20				125
1F419	DIRECTOR OFFICE	105	9	5	0.06	11.3	11.3	100.0%	1	20				125
1F420	FAM CONS / GRIEVING	120	9	5	0.06	32.2	32.2	3.6%	5	100	870	300	34	470
1F421	EMS WORK STG ROOM	110	9		0.12	13.2	13.2	100.0%						400
2F001	CORRIDOR	368	9		0.06	22.08	22.08	100.0%						
2F002	RESTR ACCESS CORRIDOR	675	9		0.06	40.5	40.5	100.0%						
2F003	CORRIDOR	285	9		0.06	17.1	17.1	100.0%						
2F004	RESTR ACCESS CORRIDOR	675	9		0.06	40.5	40.5	100.0%						
2F005	CORRIDOR	420	9		0.06	25.2	25.2	100.0%						
2F006	RESTR ACCESS CORRIDOR	573	9		0.06	34.38	34.38	100.0%						
2F007	RESTR ACCESS CORRIDOR	79	9		0.06	4.74	4.74	100.0%						
2F008	RESTR ACCESS CORRIDOR	784	9		0.06	47.04	47.04	10.0%			425	295		
2F009	RESTR ACCESS CORRIDOR	1460	9		0.06	87.6	87.6	3.4%			2520	850		
2F011	RESTR ACCESS CORRIDOR	287	9		0.06	17.22	17.22	2.4%			690	300		
2F020	EQUIP ALCOVE	37	8		0.06	2.22	2.22	100.0%						
2F021	ALCOVE	37	8		0.06	2.22	2.22	100.0%						

2F022	ALCOVE	37	8	0.06		2.22	2.22	100.0%									
2F023	ALCOVE	37	8	0.06		2.22	2.22	100.0%									
2F024	ALCOVE	37	8	0.06		2.22	2.22	100.0%									
2F025	ALCOVE	37	8	0.06		2.22	2.22	100.0%									
2F101	ENDO SUPPORT	88	8	5	0.06	10.28	10.28	100.0%	1	20							
2F102	PHYS DICT	78	8	5	0.06	14.68	14.68	100.0%	2	40							
2F103	TLT	53	8			0											75
2F104	SPEC PROC EQUIP STOR	175	9		0.12	21	21	10.4%			180	180					
2F105	ENDO PROC	291	10.5	20	0.18	132.38	132.38	15.5%	4	80	720	720	80				
2F107	ENDO SCOPE	74	9	20	0.18	13.32	13.32	5.4%			235	100					335
2F108	ENDO PROC	291	10.5	20	0.18	132.38	132.38	100.0%	4	80							920
2F120	CONTROL CLERICAL	119	8	5	0.06	17.14	17.14	100.0%	2	40							
2F121	SURG WRK RM	114	8	10	0.18	60.52	60.52	100.0%	4	80							
2F122	ANESTH OFFICE	109	8	5	0.06	16.54	16.54	2.1%	2	40	790	790	40				
2F122						0											
2F123	ASSIST RN	94	8	5	0.06	10.64	10.64	100.0%	1	20							
2F124	HSKG	36	8		0.12	4.32	4.32	100.0%									50
2F130	SCRUB/DICT	93	9	20	0.18	16.74	16.74	100.0%									
2F131	OR 3	641	10.5	15	0.18	310.38	310.38	100.0%	13	195							800
2F131						0	0	0.0%			740	740					800
2F132	OR 2	632	10.5	15	0.18	308.76	308.76	48.3%	13	195	330	200	118				800
2F132						0											800
2F133	SUB - STERILE	100	9		0.18	18	18	100.0%									
2F135	SURG EQUIP STORAGE	229	9		0.12	27.48	27.48	100.0%									
2F136	STAFF TLT	50	8			0											75
2F140	SCRUB DICT	82	8	20	0.18	14.76	14.76	2.9%			490	100					
2F141	OR 1	604	10.5	15	0.18	288.72	288.72	73.3%	12	180	105	50	86				750
2F141						0											750
2F142	DECONTAM	540	9	10	0.18	137.2	137.2	100.0%	4								590
2F143	SUB - STERILE	84	8		0.18	15.12	15.12	0.8%			1780	200					205
2F144	CSP HSKPG	46	8		0.12	5.52	5.52	100.0%									100

2F145	STERILE	524	9	10	0.18	124.32	124.32	100.0%	3					680
2F145A	STERILIZER ROOM	72	9		0.18	12.96	12.96	0.7%		1795	750			1200
2F146	SOILED HOLDING		8		0.12	0								150
2F155	SURG EQUIP STORAGE	123	9		0.12	14.76	14.76	100.0%						
2F160	SCRUB/ DICT	93	8	20	0.18	16.74	16.74	100.0%						
2F161	OR 7	606	10.5	15	0.18	289.08	289.08	42.3%	12	180	395	50	23	750
						0								750
2F162	OR 6	605	10.5	15	0.18	288.9	288.9	100.0%	12	180				750
						0								750
2F163	SUB - STERILE	69	8	20	0.18	12.42	12.42	100.0%						
2F170	HSKG	36	8		0.12	4.32	4.32	1.0%			420	100		50
2F171	ANESTH WRK/SUPP	162	9	20	0.18	69.16	69.16	100.0%	2	40				
2F180	SCRUB/DICT	92	8	20	0.18	16.56	16.56	100.0%						
2F181	OR 5	697	10.5	15	0.18	335.46	335.46	100.0%	14	210				1190
						0								1190
2F182	OR 4	692	10.5	15	0.18	334.56	334.56	27.9%	14	210	865	300	73	1190
						0								1190
2F183	SUB - STERILE	77	8	20	0.18	13.86	13.86	100.0%						
2F190	SUPPLY CORE	374	9		0.06	22.44	22.44	100.0%						
2F191	SUPPLY CORE	756	9		0.06	45.36	45.36	100.0%						
2F195	CASE CART HOLD	75	8		0.12	9	9	100.0%						
2F296	CASE CART HOLD	77	8		0.12	9.24	9.24	100.0%						
2F197	CASE CART HOLD	78	8		0.12	9.36	9.36	100.0%						
2F198	CASE CART HOLD	76	8		0.12	9.12	9.12	4.3%			205	205		
2F200	SURG EQUIP ALCOVE	94	8		0.06	5.64	5.64	100.0%						
2F201	CSP WRK LEADER	113	8	5	0.06	16.78	16.78	6.5%	2	40	240	240	40	
2F202	CSP DIR	111	8	5	0.06	16.66	16.66	100.0%	2	40				
2F203	SURG EQUIP STORAGE	210	9		0.12	25.2	25.2	100.0%						
2F205	ON CALL	108	8	5	0.06	11.48	11.48	100.0%	1	20				
2F206	ON CALL TLT/SHWR	62	8		0.5	31	31	2.6%			1150	450		100
2F207	PRODUCT/CASE CART COORD	99	8	5	0.06	15.94	15.94	2.4%	2	40	640	450	28	

2F210	SURGERY STF LOUNGE	553	9	5	0.06		143.18	143.18	100.0%	22	440			
2F220	MALE LOCKERS	804	8	10	0.06	0.5	48.24	48.24	100.0%					
2F221	SHOWER	56	8		0.5	0.5	28	28	4.1%			655	425	75
2F222	MALE TOILET	186	9			75	0							300
2F225	FEMALE TOILET	853	8			75	0							
2F226	SHOWER	40	8		0.5	0.5	20	20	9.1%			200	50	75
2F227	FEMALE TOILET	191	9			75	0	0	0.0%			205	205	300
2F230	FUTURE OR	616	10.5	15	0.18		290.88	290.88	42.7%	12	180	390	115	53
2F240	INTERVEN READING	78	8	5	0.06		9.68	9.68	0.6%	1	20	1660		
2F241	SPEC PROC CONTROL	165	8	15	0.06		54.9	54.9	3.6%	3	60	1460	1460	60
2F242	SPEC PROC ELEC	212	9		0.06		12.72	12.72	100.0%				300	
2F243	SPEC PROC	616	9.5	15	0.06		216.96	216.96	100.0%	12	180			
2F243							0							
2F244	SPEC PROC EQUIP STOR	80	9		0.12		9.6	9.6	100.0%					
2H006	PASSAGE	396	9		0.06		23.76	23.76	100.0%					
2H007	PASSAGE	380	9		0.06		22.8	22.8	100.0%					
2H021	HSKPG	40	8		0.06	1	2.4	2.4	100.0%					75
2H022	ALCOVE	20	8		0.06		1.2	1.2	0.3%			360	360	
2H023	ALCOVE	20	8		0.06		1.2	1.2	100.0%					
2H030	ALCOVE	20	8		0.06		1.2	1.2	100.0%					
2H031	ALCOVE	20	8		0.06		1.2	1.2	100.0%					
2H040	ALCOVE	20	8		0.06		1.2	1.2	100.0%					
2H041	ALCOVE	20	8		0.06		1.2	1.2	100.0%					
2H042	ALCOVE	20	8		0.06		1.2	1.2	100.0%					
2H050	ALCOVE	12	8		0.06		0.72	0.72	100.0%					
2H051	ALCOVE	20	8		0.06		1.2	1.2	100.0%					
2H052	ALCOVE	20	8		0.06		1.2	1.2	100.0%					
2H061	ALCOVE	20	8		0.06		1.2	1.2	100.0%					
2H101	PACU 3	120	9.5	15	0.18		66.6	66.6	100.0%	3	45			
2H102	PACU 2	121	9.5	15	0.18		66.78	66.78	100.0%	3	45			
2H103	PACU 1	121	9.5	15	0.18		66.78	66.78	100.0%	3	45			

2H104	HSKPG	51	8	0.12	1	6.12	6.12	100.0%										75
2H105	STAFF TLT	51	8		50	0												75
2H110	PAT TLT	51	8		50	0	0	0.0%			300	300						75
2H111	SOILED HOLDING	98	8	0.12	1	11.76	11.76	100.0%										140
2H130	PACU 9 EXT STAY	155	9	0.06		9.3	9.3	100.0%	3	45								
2H131	PACU 8 EXT STAY	156	9	0.06		9.36	9.36	100.0%	3	45								
2H132	PACU 7	123	9.5	15	0.18	52.14	52.14	100.0%	2	30								
2H133	PACU 6	128	9.5	15	0.18	68.04	68.04	100.0%	3	45								
2H134	PACU 5	128	9.5	15	0.18	68.04	68.04	22.1%	3	45	240	240				45		
2H135	PACU 4	142	9.5	15	0.18	70.56	70.56	100.0%	3	45								
2H201	CLEAN SUPPLY	103	9	0.12		12.36	12.36	100.0%										
2H202	EQUIP ALCOVE	512	8	0.06		30.72	30.72	100.0%										
2H203	STAFF TLT	65	8		50	0												75
2H243	SOILED HOLDING	99	8	0.12	1	11.88	11.88	100.0%										175
2H001	CORRIDOR	998	9.3	0.06		59.88	59.88	100.0%										
2H002	CORRIDOR	912	9.3	0.06		54.72	54.72	2.0%			2730	200						
2H005	PASSAGE	512	9.3	0.06		30.72	30.72	10.0%			275	275						
2H008	PASSAGE	231	9	0.06		13.86	13.86	100.0%										
2H009	PASSAGE	173	9	0.06		10.38	10.38	3.7%			270	270						
2H020	PASSAGE	600	9	0.06		36	36	8.3%			400	400						
2H011	PASSAGE	544	9	0.06		32.64	32.64	5.3%			585	200						
2H012	PASSAGE	400	9	0.06		24	24	4.2%			550	200						
2H013	PASSAGE	544	9	0.06		32.64	32.64	100.0%										
2H014	PASSAGE	431	9	0.06		25.86	25.86	100.0%										
2H015	PASSAGE	512	9	0.06		30.72	30.72	7.8%			365	240						
2H112	TEAM HUB	284	8	7.5	0.06	77.04	77.04	12.6%	8	160	535	395				118		
2H115	CLEAN SUPPLY	91	9	0.12		10.92	10.92	5.3%			195	195						
2H116	PATIENT TOILET	60	8		50	0												100
2H117	PACU OP	123	9.5	15	0.18	67.14	67.14	19.3%	3	45	280	280				45		
2H118	PACU OP	125	9.5	15	0.18	67.5	67.5	100.0%	3	45								
2H119	PACU 12 ISO	140	9.5	15	0.18	70.2	70.2	100.0%	3	45								320

2H120	PACU 11 ISO	141	9.5	15	0.18	55.38	55.38	100.0%	2	30					320
2H121	PACU 10 ISO	137	9.5	15	0.18	54.66	54.66	100.0%	2	30					320
2H151	PHASE II ROOM 1	115	9.5	25	0.18	45.7	45.7	16.6%	1	25	230	230	25		
2H152	PAT TLT	47	8			50	0								75
2H153	PHASE II ROOM 2	117	9.5	25	0.18	46.06	46.06	100.0%	1	25					
2H154	TEAM HUB	270	8	7.5	0.06	46.2	46.2	100.0%	4	80					
2H160	TEAM HUB	270	8	7.5	0.06	53.7	53.7	100.0%	5	100					
2H161	PHASE II ROOM 3	117	9.5	25	0.18	46.06	46.06	17.3%	1	25	220	220	25		
2H162	PATIENT TOILET	47	8			50	0								75
2H163	PHASE II ROOM 4	117	9.5	25	0.18	46.06	46.06	100.0%	1	25					
2H164	PHASE II ROOM 5	115	9.5	25	0.18	45.7	45.7	17.2%	1	25	220	220	25		
2H165	PATIENT TOILET	47	8			50	0								75
2H166	PHASE II ROOM 6	117	9.5	25	0.18	46.06	46.06	100.0%	1	25					
2H170	TEAM HUB	270	8	7.5	0.06	46.2	46.2	9.8%	4	80	425	130	24		
2H171	PHASE II ROOM 7	117	9.5	25	0.18	46.06	46.06	100.0%	1	25					
2H172	PAT TLT	54	8			50	0								75
2H173	PHASE II ROOM 8	117	9.5	25	0.18	46.06	46.06	100.0%	1	25					
2H174	PHASE II ROOM 12	124	9.5	25	0.18	47.32	47.32	9.1%	1	25	470	470	25		
2H175	PAT TLT	56	8			50	0								100
2H176	PHASE II ROOM 11	127	9.5	25	0.18	47.86	47.86	100.0%	1	25					
2H177	PHASE II ROOM 10	122	9.5	25	0.18	46.96	46.96	100.0%	1	25					
2H178	PAT TLT	56	8			50	0								100
2H179	PHASE II ROOM 9	120	9.5	25	0.18	71.6	71.6	100.0%	2	50					
2H180	PREP PHASE II OFFICE	104	9	20	0.18	58.72	58.72	7.0%	2	40	775	300	15		
2H181	STAFF LOUNGE	202	9	5	0.06	52.12	52.12	100.0%	8	160					
2H204	PREP ROOM 1	150	9.5	20	0.18	87	87	100.0%	3	75					
2H205	PAT TLT	50	8			50	0								75
2H206	PREP ROOM 2	117	9.5	20	0.18	81.06	81.06	100.0%	3	75					
2H207	PREP ROOM 5	115	9.5	20	0.18	80.7	80.7	100.0%	3	75					
2H208	PHYS WORK	56	8	5	0.06	13.36	13.36	5.1%	2	40	250	250	40		
2H210	PREP ROOM 8	118	9.5	20	0.18	81.24	81.24	12.2%	3	75	585	585	75		

2H410	CONSULT	87	8	5	0.06	25.22	25.22	5.5%	4	80	430	430	80	
2H411	CONSULT	87	8	5	0.06	25.22	25.22	100.0%	4	80				
2H420	PASSAGE	240	9.5		0.06	14.4	14.4	100.0%						
2H421	TEAM HUB	142	9	7.5	0.06	23.52	23.52	100.0%	2	40				
2H422	INFUSION ROOM 1	103	9	15	0.06	51.18	51.18	100.0%	3	45				
2H425	PATIENT TLT	46	8			0							75	
2H426	INFUSION BAY 2	71	9.5	15	0.06	49.26	49.26	5.0%	3	45	945	720	34	
2H427	INFUSION BAY 3	67	9.5	15	0.06	49.02	49.02	100.0%	3	45				
2H428	INFUSION BAY 4	78	9.5	15	0.06	49.68	49.68	100.0%	3	45				
2H429	INFUSION BAY 5	78	9.5	15	0.06	49.68	49.68	100.0%	3	45				
2H431	INFUSION BAY 6	94	9.5	15	0.06	50.64	50.64	100.0%	3	45				
3F255	POS PRES C-SECTION OR	496	10.5	15	0.18	269.28	269.28	14.6%	12	180	1580	1580	180	255
3F256	C - SECTION OR	496	10.5	15	0.18	269.28	269.28	14.1%	12	180	1645	1645	180	270
3F257	SUB - STERILE/CLEAN UTILITY	106	9		0.18	19.08	19.08	100.0%						
3F260	C - SECTION OR	496	10.5	15	0.18	269.28	269.28	14.6%	12	180	1580	1580	180	255
3F261	C - SECTION OR	496	10.5	15	0.18	269.28	269.28	14.1%	12	180	1645	1645	180	270
3F262	SUB - STERILE / CLEAN UTILITY	106	9		0.18	19.08	19.08	100.0%						165
4D100	PASSAGE	168	9		0.06	10.08	10.08	2.0%			485	300		
4D101	PASSAGE	240	9		0.06	14.4	14.4	5.0%			275	225		
4D110	WORK ROOM	1364	9	7.5	0.06	216.84	216.84	30.2%	18	360	500	500		
4D112	COMPOUNDING ROOM	161	9	5	0.06	19.66	19.66	17.9%	2	30	90	50	20	
4D120	STAFF LOUNGE WORKROOM	260	9	7.5	0.06	120.6	120.6	19.1%	14	280	510	400	220	
4D121	LOCKER ROOM	79	8	10	0.06	4.74	4.74	100.0%						250
4D140	DRUG & IV PREP ROOM STOR	167	9		0.12	20.04	20.04	100.0%						
4D142	CHEMO HOOT ROOM	65	8	10	0.06	13.9	13.9	1.9%	1	20	700	935	27	800
4D143	IV / CHEMO PREP AREA	257	9	20	0.18	106.26	106.26	7.8%	3	75	1250	300	18	1150
4D144	ANTE	55	8		0.12	6.6	6.6	100.0%	0					
4D145	CONTROL SUBS ROOM	137	9	5	0.06	18.22	18.22	100.0%	2	40				
4D150	DRUG & IV STORAGE	378	9		0.12	45.36	45.36	7.6%			550	250		
4D151	WORK STA	298	9	7.5	0.06	47.88	47.88	100.0%	4	80				
4D152	DRUG STOR	292	9		0.12	35.04	35.04	100.0%						

4E001	CORRIDOR	541	8.5	0.06		32.46	32.46	4.5%			685	300		
4E002	CORRIDOR	216	8	0.06		12.96	12.96	100.0%						
4E003	CORRIDOR	720	8.5	0.06		43.2	43.2	2.9%			1440	450		
4E004	CORRIDOR	192	8	0.06		11.52	11.52	100.0%						
4E005	CORRIDOR	362	8.5	0.06		21.72	21.72	100.0%						
4E101	ELECTRICAL ROOM	156	14	0.06		9.36	9.36	0.8%			1105			
4E102	WASHER / DRYER	89	8	0.12		10.68	10.68	100.0%						75
4E120	FEMALE LOCKER ROOM	316	9	10	0.06	0.5	18.96	18.96	100.0%					160
4E121	MALE LOCKER ROOM	97	9	10	0.06	0.5	5.82	5.82	100.0%					150
4E201	NURSE DIRECTOR	119	9	5	0.06		17.14	17.14	100.0%	2	40			
4E250	NEONATOLOGY DIRECTOR	117	9	5	0.06		12.02	12.02	4.3%	1	20	265	150	11
4E302	NICU FAMILY GUEST	127	8	5	0.06		22.62	22.62	24.4%	3	50	70	45	39
4E303	FAMILY GUEST TLT	64	8			50	0							100
4E305	TRANSITIONAL NURSURY	338	9	5	0.06		55.28	55.28	15.1%	7	175	310	310	175
4E310	CHUTE ROOM	83	9		0.12		9.96	9.96	100.0%					125
4E415	SIBLING ROOM	195	8	5	0.06		41.7	41.7	100.0%	6	120			
4E420	GREETER	120	8	5	0.06		17.2	17.2	6.8%	2	40	235	250	43
4E421	TLT	59	8			50	0							100
4E422	TLT	59	8			50	0							100
4F001	PASSAGE	888	8.5	0.06		53.28	53.28	100.0%						
4F002	PASSAGE	169	8.5	0.06		10.14	10.14	100.0%						
4F003	PASSAGE	158	8.5	0.06		9.48	9.48	4.3%			210	125		
4F004	PASSAGE	672	8.5	0.06		40.32	40.32	6.5%			580	390		
4F005	CORRIDOR	453	8.5	0.06		27.18	27.18	100.0%						
4F006	CORRIDOR	640	8.5	0.06		38.4	38.4	4.2%			880	880		
4F007	PASSAGE	464	8.5	0.06		27.84	27.84	7.7%			335	335		
4F008	PASSAGE	672	8.5	0.06		40.32	40.32	100.0%						
4F009	PASSAGE	215	8.5	0.06		12.9	12.9	100.0%						
4F010	PASSAGE	169	8.5	0.06		10.14	10.14	2.0%			490	250		
4F011	PASSAGE	672	8.5	0.06		40.32	40.32	100.0%						
4F012	PASSAGE	158	8.5	0.06		9.48	9.48	100.0%						

4F101	PATIENT ROOM	150	9	20	0.12	78	78	24.9%	3	75	235	125	40
4F102	PATIENT ROOM	146	9	20	0.12	77.52	77.52	26.1%	3	75	220	100	34
4F103	PATIENT ROOM	150	9	20	0.12	78	78	24.5%	3	75	240	150	47
4F104	PATIENT ROOM	150	9	20	0.12	78	78	24.5%	3	75	240	150	47
4F105	INTERMEDIATE RM	185	9	5	0.06	26.1	26.1	8.5%	3	75	280	150	40
4F106	PATIENT ROOM	150	9	20	0.12	78	78	36.6%	3	75	135	135	75
4F107	PAT T M	146	9	20	0.12	77.52	77.52	27.0%	3	75	210	150	54
4F108	PATIENT ROOM	158	9	20	0.12	78.96	78.96	26.4%	3	75	220	150	51
4F109	PATIENT ROOM	152	9	20	0.12	78.24	78.24	22.8%	3	75	265	150	42
4F115	TEAM HUB	209	8	7.5	0.06	42.54	42.54	9.4%	4	80	410	175	34
4F116	APN OFFICE	86	8	5	0.06	15.16	15.16	100.0%	2	40			
4F117	LAUNCHING PAD	158	8	5	0.06	24.48	24.48	100.0%	3	60			
4F118	PAD TLT	73	8			50	0						100
4F119	EQUIPMENT STORAGE	319	9		0.12	38.28	38.28	100.0%					
4F120	SOILED HOLDING	159	8		0.12	1	19.08	19.08	5.5%		330	125	215
4F121	CLEAN SUPPLY	213	9		0.12	25.56	25.56	100.0%					
4F122	STAFF TOILET	44	8			50	0						
4F125	TEAM HUB	21	8	7.5	0.06	31.26	31.26	100.0%	4				
4F126	RONALD MCDONALD ROOM	83	8	7.5	0.06	19.98	19.98	100.0%	2	40			
4F140	FLEX WORKROOM	80	8	7.5	0.06	27.3	27.3	100.0%	3	60			
4F141	HSKG	46	8		0.12	1	5.52	5.52	100.0%				50
4F142	POCT	56	8		0.12	6.72	6.72	100.0%					
4F143	STAFF TOILET	51	8				0						75
4F144	ASST NURSE MGR OFFICE	109	9	5	0.06	16.54	16.54	7.1%	2	40	215	200	37
4F150	PATIENT ROOM	146	9	20	0.12	77.52	77.52	100.0%	3	75			
4F151	PATIENT ROOM	143	9	20	0.12	77.16	77.16	37.2%	3	75	130	130	75
4F152	PATIENT ROOM	146	9	20	0.12	77.52	77.52	36.5%	3	75	135	135	75
4F153	INTERMEDIATE RM	181	9	5	0.06	25.86	25.86	16.1%	3		135	135	
4F154	PATIENT ROOM	146	9	20	0.12	77.52	77.52	34.1%	3	75	150	150	75
4F155	PATIENT ROOM	146	9	20	0.12	77.52	77.52	36.5%	3	75	135	135	75
4F156	PATIENT ROOM	143	9	20	0.12	77.16	77.16	36.4%	3	75	135	135	75

4F157	PATIENT ROOM	161	9	20	0.12	79.32	79.32	35.4%	3	75	145	145	75	
4F170	PATIENT ROOM	150	9	20	0.12	78	78	17.0%	3	75	380	230	45	
4F171	PATIENT ROOM	172	9	20	0.12	80.64	80.64	17.5%	3	75	380	250	49	
4F172	PATIENT ROOM	140	9	20	0.12	76.8	76.8	16.5%	3	75	390	200	36	
4F173	PATIENT ROOM	138	9	20	0.12	76.56	76.56	18.2%	3	75	345	165	36	
4F174	NICU ON - CALL	103	9	5	0.06	11.18	11.18	4.7%	1	20	225	200	18	
4F175	NICU ON CALL TLT	55	9			50	0						75	
4F180	PHOTO ROOM	67	9	10	0.12	48.04	48.04	4.3%	4	80	1060	600	45	
4F181	STAFF LOUNGE	195	9	5	0.06	51.7	51.7	100.0%	8	160				
4F182	FORMULA PREP	80	9	15	0.12	24.6	24.6	100.0%	1	20				
4F183	NICU ON - CALL	103	9	5	0.06	11.18	11.18	4.7%	1	20	225	150	13	
4F184	NICU ONCALL TLT	55	8			50	0						75	
4F190	PATIENT ROOM	138	9	20	0.12	76.56	76.56	17.3%	3	75	365	165	34	
4F191	PATIENT ROOM	139	9	20	0.12	76.68	76.68	17.4%	3	75	365	200	41	
4F192	PATIENT ROOM	172	9	20	0.12	80.64	80.64	17.1%	3	75	390	200	38	
4F193	PATIENT ROOM	149	9	20	0.12	77.88	77.88	17.0%	3	75	380	200	39	
4F301	PATIENT ROOM	179	9	20	0.12	81.48	81.48	36.8%	3	75	140	140	75	
4F302	PATIENT ROOM	150	9	20	0.12	78	78	36.6%	3	75	135	140	78	
4F303	PATIENT ROOM	150	9	20	0.12	78	78	36.6%	3	75	135	140	78	
4F304	PATIENT ROOM	150	9	20	0.12	78	78	36.6%	3	75	135	140	78	
4F305	PATIENT ROOM	150	9	20	0.12	78	78	32.8%	3	75	160	165	77	
4F306	PATIENT ROOM	150	9	20	0.12	78	78	36.6%	3	75	135	140	78	
4F307	PATIENT ROOM	150	9	20	0.12	78	78	36.6%	3	75	135	140	78	
4F308	PATIENT ROOM	150	9	20	0.12	78	78	36.6%	3	75	135	140	78	
4F309	PATIENT ROOM	150	9	20	0.12	78	78	36.6%	3	75	135	140	78	
4F315	TEAM HUB	209	8	7.5	0.12	55.08	55.08	100.0%	4	80				
4F316	CONSULT ROOM	86	8	5	0.06	25.16	25.16	100.0%	4	80				
4F317	LAUNCHING PAD	158	8	5	0.06	24.48	24.48	100.0%	3	60				
4F318	PAD TLT	73	8			50	0						100	
4F319	EQUIPMENT STORAGE	319	9		0.12	38.28	38.28	8.4%			415	395		
4F320	SOILED HOLDING	160	8		0.12	1	19.2	19.2	100.0%					215

4F321	CLEAN SUPPLY	213	9	0.12		25.56	25.56	100.0%									
4F322	STAFF TOILET	44	8		50	0											75
4F325	TEAM HUB	211	8	7.5	0.06	42.66	42.66	100.0%	4	80							
4F340	FLEX WORKROOM	80	8	7.5	0.06	27.3	27.3	100.0%	3	60							
4F341	HSKG	46	8	0.12	1	5.52	5.52	100.0%									50
4F342	POCT	56	8	0.12		6.72	6.72	100.0%	1								
4F343	STAFF TOILET	51	8			0											75
4F344	ANTE	109	9	0.12		13.08	13.08	3.1%				415	395				65
4F350	ALL PATIENT ROOM	146	9	20	0.12	77.52	77.52	100.0%	3	75							450
4F351	PATIENT ROOM	143	9	20	0.12	77.16	77.16	24.3%	3	75	240	140	44				
4F352	PATIENT ROOM	146	9	20	0.12	77.52	77.52	24.4%	3	75	240	165	52				
4F353	INTERMEDIATE RM	181	9	5	0.06	25.86	25.86	8.9%	3	75	265	165	47				
4F354	PATIENT ROOM	146	9	20	0.12	77.52	77.52	24.4%	3	75	240	165	52				
4F355	PATIENT ROOM	146	9	20	0.12	77.52	77.52	24.4%	3	75	240	165	52				
4F356	PATIENT ROOM	143	9	20	0.12	77.16	77.16	24.7%	3	75	235	165	53				
4F357	PATIENT ROOM	146	9	20	0.12	77.52	77.52	24.8%	3	75	235	165	53				
4F358	RT STOR WRK	332	9	5	0.06	39.92	39.92	17.4%	4	80	190	125	53				
4F359	TANK ROOM	16	8	0.12		1.92	1.92	100.0%									50

AHU SET - 3

ASHRAE 62.1 Section 6

Design Conditions

RM. No.	RM. Name	Area (ft2)	Height (ft)	Rp	Ra	E.A.	Vbz	Ez	Voz & Vot	Zp	Occ.	O.A at Max S.A.	Max S.A.	Min S.A.	O.A. at Min S.A.	E.A.
GA001	ENTRY	126	11.7	5	0.06		7.56	1	7.56							
GA002	CORRIDOR	504	10		0.06		30.24	1	30.24							
GA003	ELEV LOBBY	252	11.5	5	0.06		15.12	1	15.12	1.5%			1000	320		
GA004	CORRIDOR	640	10		0.06		38.4	1	38.4	4.7%			780	780		
GA005	CORRIDOR	96	8		0.06		5.76	1	5.76	1.0%			550	550		
GA100	VALET	88	11.7	5	0.06		15.28	1	15.28	100.0%	2	40				

GA101	CONCIERGE	120	11.7	5	0.06	12.2	1	12.2	100.0%	1	20				
GA102	LOBBY	418	11.7	5	0.06	65.08	1	65.08	100.0%	8					
GA103	RECEPTION	268	8	5	0.06	36.08	1	36.08	100.0%	4	80				
GA104	PTNT WAIT	52	9	5	0.06	23.12	1	23.12	100.0%	4	60				
GA105	CONSULT	64	10	5	0.06	23.84	1	23.84	100.0%	4	80				
GA110	GIFT SHOP	1100	10	7.5	0.12	199.5	1	199.5	13.0%	9	135	1330	400	41	
GA112	OFFICE	39	8	5	0.06	7.34	1	7.34	100.0%	1	20				50
GA120	HSKPG	174	8		0.12	20.88	1	20.88	100.0%						50
GA121	FEMALE TLT	174	8			75	0	1							375
GA122	MENS TOILET	174	9			75	0	1							375
GA123	VALVE CLOSET	39	15.3		0.12	4.68	1	4.68	100.0%						
GA200	PASSAGE	480	8		0.06	28.8	1	28.8	11.6%			220	120		
GA201	CONSULT - CONF	204	8	5	0.06	62.24	1	62.24	19.3%	10	200	260	260	200	
GA202	DIR OFFICE	125	8	5	0.06	17.5	1	17.5	2.2%	2	40	790	790	40	
GA203	BUSINESS ANALYST	110	8	5	0.06	16.6	1	16.6	100.0%	2	40				
GA204	PAT REP OFFICE	115	8	5	0.06	16.9	1	16.9	100.0%	2	40				
GA205	WORK ROOM	135	8	7.5	0.06	23.1	1	23.1	100.0%	2	40				
GA206	PAT REP WRK STA	225	8	7.5	0.06	36	1	36	100.0%	3	60				
GA207	MEDITATION STRG	53	8		0.12	6.36	1	6.36	100.0%						
GA208	PASSAGE	55	8		0.06	3.3	1	3.3	100.0%						
GA209	PASTORAL	130	8	5	0.06	17.8	1	17.8	100.0%	2	40				
GA220	VESTIBULE	55	9.9		0.06	3.3	1	3.3	100.0%						
GA221	MEDITATION	425	10.5	20	0.06	305.5	1	305.5	38.9%	14	280	480	240	140	
GB001	CORRIDOR	1504	10		0.06	90.24	1	90.24	100.0%						
GB002	CORRIDOR	400	10		0.06	24	1	24	100.0%						
GB003	PASSAGE	256	8		0.06	15.36	1	15.36	100.0%						
GB005	CORRIDOR	320	9		0.06	19.2	1	19.2	7.7%			230	140		
GB006	ELEV LOBBY	324	8.3	5	0.06	19.44	1	19.44	100.0%						
GB007	CORRIDOR	240	9		0.06	14.4	1	14.4	0.6%			2505	2505		
GB008	ELEV LOBBY	188	8.3		0.06	11.28	1	11.28	0.6%			1760	900		
GB009	CORRIDOR	504	9.3		0.06	30.24	1	30.24	100.0%						1000

GC202	RECEP	40	8	5	0.06	7.4	1	7.4	100.0%	1	15			
GC203	BADGE - TESTING	50	8	5	0.06	8	1	8	100.0%	1	20			
GC204	PASSAGE	250	8		0.06	15	1	15	100.0%					
GC205	RECRUITMENT	105	8	5	0.06	21.3	1	21.3	4.3%	3	60	470	300	38
GC206	RECRUITMENT	95	8	5	0.06	20.7	1	20.7	100.0%	3	60			
GC207	DIRECTOR	120	8	5	0.06	22.2	1	22.2	100.0%	3	60			
GC208	DIRECTOR	100	8	5	0.06	21	1	21	100.0%	3	60			
GC209	CONFERENCE	125	8	5	0.06	37.5	1	37.5	14.6%	6	120	220	95	52
GC220	RECRUITMENT	95	8	5	0.06	15.7	1	15.7	4.3%	2	40	350	150	17
GC221	PASSAGE	60	8		0.06	3.6	1	3.6	100.0%					
GC222	CLIENT RELATION	100	8	5	0.06	16	1	16	100.0%	2	40			
GC223	CLIENT RELATION	100	8	5	0.06	21	1	21	100.0%	3	60			
GC224	RECRUITMENT	80	8	5	0.06	14.8	1	14.8	100.0%	2	40			
GC225	WORK COPY KITH	86	8	5	0.06	15.16	1	15.16	100.0%	2	30			
GC226	FILES	140	9		0.12	16.8	1	16.8	100.0%					
GC300	PASSAGE	230	8		0.06	13.8	1	13.8	2.0%			690	200	
GC301	RECEP-WAITING	95	9	5	0.06	30.7	1	30.7	100.0%	5	90			
GC302	ADMIN ASST.	56	9	5	0.06	8.36	1	8.36	100.0%	1	20			
GC303	WORK COPY KITCH	100	8	7.5	0.18	33	1	33	100.0%	2	30			
GC304	PBS WORK STATIONS	640	8	7.5	0.06	98.4	1	98.4	100.0%	8	160			
GC305	FINANCIAL COUNSEL	90	8	5	0.06	20.4	1	20.4	5.8%	3	60	330	270	49
GC306	DIRECTOR OFFICE	108	8	5	0.06	21.48	1	21.48	100.0%	3	60			
GC307	MANAGER OFFICE	90	8	5	0.06	20.4	1	20.4	100.0%	3	60			
GC308	PBS WORK STATIONS	110	8	5	0.06	16.6	1	16.6	100.0%	2	40			
GC309	CASHIER	95	8	7.5	0.12	18.9	1	18.9	100.0%	1	20			
GC400	PASSAGE	314	8		0.06	18.84	1	18.84	4.6%			390	150	
GC401	FAM HEALTH WRK STA	165	8	7.5	0.06	32.4	1	32.4	5.3%	3	60	580	250	25
GC402	FAM HEALTH WRK STA	644	8	7.5	0.06	188.64	1	188.64	100.0%	20	400			
GC403	PASSAGE	140	8		0.06	8.4	1	8.4	100.0%					
GC404	FAM HEALTH WRK STA	175	8	7.5	0.06	33	1	33	100.0%	3	60			
GC406	WORK COPY KITCH	120	8	7.5	0.18	36.6	1	36.6	100.0%	2	30			

GC407	DIRECTOR FAM HEALTH	105	8	5	0.06	16.3	1	16.3	100.0%	2	40				
GC408	DIRECTOR EDUCATION	110	8	5	0.06	21.6	1	21.6	100.0%	3	60				
GC409	FAM HEALTH WRK STA	165	8	7.5	0.06	32.4	1	32.4	100.0%	3	60				
GC500	RECEP-WAITING	195	9.5	5	0.06	76.7	1	76.7	7.7%	13	195	925	330	70	
GC501	COATS	20	9		0.12	2.4	1	2.4	100.0%	1					
GC502	ADMIN SEC	58	8	5	0.06	13.48	1	13.48	100.0%	2	40				
GC503	WRK STA	60	8	7.5	0.06	3.6	1	3.6	100.0%						
GC504	ANTE ROOM	110	9.5		0.12	13.2	1	13.2	100.0%						
GC505	PASSAGE	450	9.5		0.06	27	1	27	8.8%			280	150		
GC506	LARGE CONFERENCE	540	9.5	5	0.06	167.4	1	167.4	17.7%	27	540	780	185	128	
GC507	LARGE CONFERENCE	550	9.5	5	0.06	173	1	173	18.2%	28	560	780	165	118	
GC508	LARGE CONFERENCE	510	9.5	5	0.06	170.6	1	170.6	19.2%	28	560	720	160	124	
GC520	FAMILY HEALTH STRG	175	9		0.12	21	1	21	100.0%						
GC521	PANTRY	230	8		0.12	27.6	1	27.6	2.2%			1200	230		
GC522	CHAIR-TABLE STORAGE	310	9		0.12	37.2	1	37.2	100.0%						
GC524	ECUCATION STRG	120	9		0.12	14.4	1	14.4	100.0%						
GC525	AV STRG	60	9		0.12	7.2	1	7.2	100.0%						
1A001	ELEVATOR LOBBY	234	11.5	5	0.06	14.04	1	14.04	9.1%			140	140		
1A010	CORRIDOR	975	8.5		0.06	58.5	1	58.5	5.1%			1080	500		
1A011	CORRIDOR	512	8.5		0.06	30.72	1	30.72	2.8%			1060	800		
1A012	CORRIDOR	144	8		0.06	8.64	1	8.64	100.0%						
1A013	CORRIDOR	112	8		0.06	6.72	1	6.72	100.0%						
1A014	CORRIDOR	1040	8.5		0.06	62.4	1	62.4	100.0%						
1A015	CORRIDOR	512	8.5		0.06	30.72	1	30.72	100.0%						
1A030	SOILED TRAY	20	8		0.12	2.4	1	2.4	100.0%						
1A031	CRASH CART	20	8		0.12	2.4	1	2.4	100.0%						
1A032	STORAGE ALCOVE	25	8		0.12	3	1	3	100.0%						
1A100	PATIENT ROOM	245	9		0.06	14.7	1	14.7	8.9%		75	150	42		
1A101	ADA TOILET	50	8			0	1							100	
1A200	UNIT SECRETARY	870	10	5	0.06	57.2	1	57.2	100.0%	1	20				
1A201	FAMILY WAIT	870	10	5	0.06	312.2	1	312.2	20.6%	52	780	1200	560	364	

1A202	KITCHEN	30	8	7.5	0.06		1.8	1	1.8	100.0%							
1A203	PUBLIC TOILET	56	8			50	0	1									75
1A205	CONSULT	75	10	5	0.06		19.5	1	19.5	100.0%	3	60					
1A210	CLEAN SUPPLY	120	9		0.12		14.4	1	14.4	4.0%			350	240			
1A211	SOILED HOLD	100	8		0.12	1	12	1	12	100.0%							220
1A212	EQUIP STOR	160	9		0.12		19.2	1	19.2	100.0%							
1A213	FLEX WRK RM	120	8	7.5	0.06		37.2	1	37.2	100.0%	4	80					
1A214	TEAM HUB	240	8	7.5	0.06		44.4	1	44.4	100.0%	4	80					
1A215	MEDS	126	8	15	0.18		22.68	1	22.68	100.0%							
1A216	CLEAN SUPPLY	130	9		0.12		15.6	1	15.6	100.0%							
1A250	NOURISHMENT	90	8	10	0.18		16.2	1	16.2	3.8%			410	300			
1A251	MNGR OFFICE	100	8	5	0.06		21	1	21	100.0%	3	60					
1A252	CLEAN SUPPLY	135	9		0.12		16.2	1	16.2	100.0%	5						
1A254	FLEX WRK RM	145	8	5	0.06		28.7	1	28.7	100.0%	4	80					
1A255	TEAM HUB	200	8	5	0.06		32	1	32	100.0%	4	80					
1A256	MEDS ROOM	100	8	15	0.18		18	1	18	5.8%			290	200			
1A257	SOILED HOLD	100	8		0.12		12	1	12	100.0%							100
1A258	CLEAN SUPPLY	120	9		0.12		14.4	1	14.4	100.0%							
1A259	EQUIP STOR	140	9		0.12		16.8	1	16.8	100.0%							100
1A330	STAFF LOUNGE	196	9	5	0.06		51.76	1	51.76	11.5%	8	160	400	240	96		
1A331	STAFF TOILET	35	8			50	0	1									75
1A352	ANTE ROOM	49	9		0.12		5.88	1	5.88	100.0%							
1A020	NURSE ALCOVE	22	7.5		0.06		1.32	1	1.32	100.0%	1						
1A021	NURSE ALCOVE	22	7.5		0.06		1.32	1	1.32	100.0%	1						
1A022	NURSE ALCOVE	22	7.5		0.06		1.32	1	1.32	100.0%	1						
1A023	NURSE ALCOVE	22	7.5		0.06		1.32	1	1.32	100.0%	1						
1A024	NURSE ALCOVE	22	7.5		0.06		1.32	1	1.32	100.0%	1						
1A025	NURSE ALCOVE	22	7.5		0.06		1.32	1	1.32	100.0%	1						
1A040	NURSE ALCOVE	22	7.5		0.06		1.32	1	1.32	100.0%	1						
1A041	NURSE ALCOVE	22	7.5		0.06		1.32	1	1.32	100.0%	1						
1A042	NURSE ALCOVE	22	7.5		0.06		1.32	1	1.32	100.0%	1						

1A043	NURSE ALCOVE	22	7.5	0.06	1.32	1	1.32	100.0%	1										
1A044	NURSE ALCOVE	22	7.5	0.06	1.32	1	1.32	100.0%	1										
1A045	NURSE ALCOVE	22	7.5	0.06	1.32	1	1.32	100.0%	1										
1B130	STAFF TOILET	45	8		50	0	1												75
1B130	HSKG	55	8	0.12		6.6	1	6.6	100.0%										50
1B001	CORRIDOR	480	9.3	0.06		28.8	1	28.8	2.0%			1380	375						
1B002	CORRIDOR	112	9.3	0.06		6.72	1	6.72	100.0%										
1B003	CORRIDOR	112	9.3	0.06		6.72	1	6.72	100.0%										
1B005	CORRIDOR	680	9.3	0.06		40.8	1	40.8	100.0%										
1B006	CORRIDOR	324	9.3	0.06		19.44	1	19.44	100.0%										
1B007	CORRIDOR	256	9.3	0.06		15.36	1	15.36	2.0%			735	310						
1B008	CORRIDOR	192	9.3	0.06		11.52	1	11.52	0.7%			1625	580						
1B009	CORRIDOR	225	9.3	0.06		13.5	1	13.5	100.0%										
1B010	CORRIDOR	624	9.3	0.06		37.44	1	37.44	100.0%										
1B100	STAFF TOILET	45	8			0	1												
1B102	MED SURG APN OFC	140	9	5	0.06	18.4	1	18.4	5.0%	2	40	350	280	32					
1B103	M-S DIRECTOR OFFICE	120	9	5	0.06	17.2	1	17.2	100.0%	2	40								
1B105	STAFF LOCKERS	168	9	10	0.06	10.08	1	10.08	100.0%										
1B106	STAIR ALCOVE	42	9.3	0.06		2.52	1	2.52	100.0%										160
1B109	CONF ROOM	377	9	5	0.06	117.62	1	117.62	20.7%	19	380	450	310	262					
1B130	HSKG	55	8	0.12		6.6	1	6.6	100.0%										50
1B131	TANK ROOM	12	9.3	0.12		1.44	1	1.44	100.0%										
1B140	CHUTE ROOM	50	8	0.12		6	1	6	100.0%										120
1B141	ELECTRICAL	155	15.3	0.06		9.3	1	9.3	0.8%			1100	1100						
1B142	TELECOMM	185	15.3	0.06		11.1	1	11.1	1.8%			600	600						
1B143	EVS CLOSET	70	8	0.12		8.4	1	8.4	100.0%										50
1B150	CASE MANAGEMENT	143	8	5	0.06	18.58	1	18.58	4.7%	2	40	380	135	14					
1B151	TR EQUIP STOR	77	8	0.12		9.24	1	9.24	100.0%										
1B152	HSKG	55	8	0.12		6.6	1	6.6	100.0%										
1B153	MOBILE IMAGING	23	8	5	0.06	1.38	1	1.38	100.0%										
1C001	ELEV LOBBY	264	11.5	5	0.06	15.84	1	15.84	9.0%			160	100						

1C010	CORRIDOR	760	8.5	0.06		45.6	1	45.6	4.1%			1070	800		
1C010						0	1								
1C011	CORRIDOR	832	8.5	0.06		49.92	1	49.92	4.9%			970	500		50
1C012	CORRIDOR	112	8	0.06		6.72	1	6.72	100.0%						
1C013	CORRIDOR	112	9	0.06		6.72	1	6.72	100.0%						
1C014	CORRIDOR	784	8.5	0.06		47.04	1	47.04	100.0%						
1C015	CORRIDOR	920	8.5	0.06		55.2	1	55.2	100.0%						
1C031	CRASH CART	25	8	0.12		3	1	3	100.0%						
1C117	ANTE ROOM	49	8	0.12		5.88	1	5.88	100.0%						
1C120	PLAY ROOM	326	9	10	0.18	188.68	1	188.68	24.5%	13	325	580	360	202	
1C122	CHILDLIFE OFFICE	75	8	5	0.06	9.5	1	9.5	100.0%	1					100
1C123	TEEN ROOM	120	9	7.5	0.06	44.7	1	44.7	100.0%	5					70
1C200	UNIT SECRETARY	85	8	5	0.06	10.1	1	10.1	100.0%	1	20				
1C201	FAMILY WAIT	805	10	5	0.06	288.3	1	288.3	17.0%	48	720	1410	620	317	
1C202	KITCHEN	35	8	7.5	0.18	0.3	6.3	1	6.3	100.0%					
1C203	PUBLIC TOILET					0	1								75
1C204	ASST NURSE MGR	82	8	5	0.06	9.92	1	9.92	2.2%	1	20	450	250	11	
1C205	CONSULT	83	10	5	0.06	14.98	1	14.98	100.0%	2	40				
1C206	DIRECTOR OFFICE	105	8	5	0.06	16.3	1	16.3	3.4%	2	40	460	150	13	
1C207	PEDS - PICU APN OFC	108	8	5	0.06	11.48	1	11.48	100.0%	1	20				
1C208	PASSAGE	48	7.5		0.06	2.88	1	2.88	100.0%						
1C209	EQUIPMENT STORAGE	170	9		0.12	20.4	1	20.4	100.0%						
1C210	CLEAN SUPPLY	124	9		0.12	14.88	1	14.88	100.0%						
1C212	PROCEDURE ROOM	100	9			0	1								
1C213	NOURISHMENT	100	8	10	0.18	18	1	18	5.2%			330	160		
1C214	MEDS	115	8	15	0.18	20.7	1	20.7	100.0%						
1C215	TEAM HUB	185	8	7.5	0.06	41.1	1	41.1	100.0%	4	80				
1C216	PHYSICIAN WORKROOM	105	8	7.5	0.06	28.8	1	28.8	100.0%	3	60				
1C217	SOILED HOLD	120	8		0.12	1	14.4	1	14.4	100.0%					250
1C218	STAFF TOILET	60	8			50	0	1							75
1C250	FLEX WORKROOM	125	8	7.5	0.06	30	1	30	9.1%	3	60	300	200	40	

1C251	CLEAN SUPPLY	130	9		0.12	15.6	1	15.6	100.0%										150
1C252	TUB ROOM	80	8	5	0.12	19.6	1	19.6	5.5%	2		340	200						
1C253	NOURISHMENT	106	8	10	0.18	19.08	1	19.08	100.0%										
1C254	MEDS	130	8	15	0.18	23.4	1	23.4	100.0%										
1C255	TEAM HUB	170	8	5	0.12	40.4	1	40.4	100.0%	4	80								
1C256	SOILED HOLD	96	8		0.12	11.52	1	11.52	4.6%			240	200						160
1C257	CLEAN SUPPLY	115	9		0.12	13.8	1	13.8	100.0%										
1C258	EQUIPMENT STORAGE	138	9		0.12	16.56	1	16.56	100.0%										
1C322	ANTE ROOM	41	9		0.12	4.92	1	4.92	100.0%										
1C330	STAFF LOUNGE	205	9	5	0.06	42.3	1	42.3	18.2%	6	120	190	125						79
1C362	ANTE ROOM	60	8		0.12	7.2	1	7.2	100.0%										
1C020	NURSE ALCOVE	22	7.5		0.06	1.32	1	1.32	100.0%	1									
1C021	NURSE ALCOVE	22	7.5		0.06	1.32	1	1.32	100.0%	1									
1C022	NURSE ALCOVE	22	7.5		0.06	1.32	1	1.32	100.0%	1									
1C023	NURSE ALCOVE	22	7.5		0.06	1.32	1	1.32	100.0%	1									
1C024	NURSE ALCOVE	22	7.5		0.06	1.32	1	1.32	100.0%	1									
1C025	NURSE ALCOVE	22	7.5		0.06	1.32	1	1.32	100.0%	1									
1C040	NURSE ALCOVE	22	7.5		0.06	1.32	1	1.32	100.0%	1									
1C041	NURSE ALCOVE	22	7.5		0.06	1.32	1	1.32	100.0%	1									
1C042	NURSE ALCOVE	22	7.5		0.06	1.32	1	1.32	100.0%	1									
1C043	NURSE ALCOVE	22	7.5		0.06	1.32	1	1.32	100.0%	1									
1C044	NURSE ALCOVE	22	7.5		0.06	1.32	1	1.32	100.0%	1									
1C045	NURSE ALCOVE	22	7.5		0.06	1.32	1	1.32	100.0%	1									
1D001	VESTIBULE	110	10.7		0.06	6.6	1	6.6	100.0%										
1D002	CORRIDOR	780	9		0.06	46.8	1	46.8	100.0%										
1D003	CORRIDOR	590	9.5		0.06	35.4	1	35.4	6.2%			535	430						
1D003					0.06	0	1												
1D004	CORRIDOR	215	9		0.06	12.9	1	12.9	100.0%										
1D005	CORRIDOR	215	9.5		0.06	12.9	1	12.9	100.0%										
1D006	CORRIDOR	255	9.5		0.06	15.3	1	15.3	100.0%										
1D010	ENT VESTIBULE	120	10.7	5	0.06	7.2	1	7.2	100.0%										

1D011	ENTRY LOBBY	190	9	0.06		11.4	1	11.4	4.4%			245	111	
1D012	CORRIDOR	140	9	0.06		8.4	1	8.4	100.0%					
1D013	PASSAGE	605	9	0.06		36.3	1	36.3	2.5%			1410	1100	
1D014	PASSAGE	190	9	0.06		11.4	1	11.4	100.0%					
1D015	PASSAGE	570	9	0.06		34.2	1	34.2	100.0%					
1D016	PASSAGE	200	9	0.06		12	1	12	100.0%					
1D100	VALET WHEEL CHAIR	64	10.7	5	0.06	8.84	1	8.84	100.0%	1	20			
AD101	WAIT ROOM	190	10.7	5	0.06	66.4	1	66.4	100.0%	11	165			
AD102	DESK	70	10.7	5	0.06	24.2	1	24.2	100.0%	4	60			
1D103	WAIT ROOM	190	10.7	5	0.06	161.4	1	161.4	11.4%	30	450	1255	1255	450
1D104	CONSULT	80	9	5	0.06	24.8	1	24.8	5.1%	4	80	465	140	24
1D110	NOURISHMENT	110	10	10	0.18	19.8	1	19.8	6.4%			290	290	
1D120	VAD WORKROOM	200	9	7.5	0.06	34.5	1	34.5	100.0%	3	60			
1D130	ED OFFICE	110	9	7.5		15	1	15	4.5%	2	40	320	320	40
1D160	TRIAGE RB GREETER	86	9	5	0.06	30.16	1	30.16	100.0%	5	75			
1D161	TEAM HUB NOURISH	180	9	10	0.18	52.4	1	52.4	100.0%	2	40			
1D162	CLEAN SUPPLY	125	9		0.12	15	1	15	100.0%					
1D163	TEAM HUB MEDS	135	8	15	0.18	54.3	1	54.3	100.0%	2	30			
1D164	EQUIP	120	9		0.12	14.4	1	14.4	100.0%					
1D165	SOILED HOLD	93	8		0.12	1	11.16	1	11.16	100.0%				
1D170	TRIAGE	185	9	15	0.18	93.3	1	93.3	21.8%	4	60	335	335	60
1D171	TRIAGE TLT	49	8			50	0	1						
1D172	TRIAGE	185	9	15	0.18	93.3	1	93.3	21.8%	4	60	335	335	60
1D173	TRIAGE	185	9	15	0.18	93.3	1	93.3	21.8%	4	60	335	335	60
1D174	TRIAGE TLT	49	8			0	1							
1D175	TRIAGE	185	9	15	0.18	93.3	1	93.3	21.8%	4	60	335	335	60
1D176	TRIAGE	180	9	15	0.18	92.4	1	92.4	21.6%	4	60	335	335	60
1D177	TLT	50	8			50	0	1						
1D178	TRIAGE	180	9	15	0.18	92.4	1	92.4	21.6%	4	60	335	335	60
1D179	TRIAGE	180	9	15	0.18	92.4	1	92.4	21.6%	4	60	335	325	58
1D180	TLT	49	8			50	0	1						

1D181	TRIAGE	180	9	15	0.18	92.4	1	92.4	21.6%	4	60	335	325	58
1D182	INPATIENT RESUS	96	9	15	0.18	62.28	1	62.28	100.0%	3	45			
1D190	PRACT OFFICE	97	9	5	0.06	15.82	1	15.82	11.2%	2	40	125	86	28
1D191	LAB SCOPE	80	9	10	0.18	24.4	1	24.4	100.0%	1	20			
1D192	STAFF TOILET	48	8			0	1							
1D193	STF CONF	215	9	5	0.06	57.9	1	57.9	18.2%	9	180	260	78	54
1D194	SHARED STF LOUNGE	145	9	5	0.06	38.7	1	38.7	9.7%	6	120	360	200	67
1D200	FAMILY WAIT LOUNGE	590	9	5	0.06	210.4	1	210.4	23.0%	35	525	705	215	160
1D201	PUB TLT	49	8			0	1							
1D202	PASSAGE	93	9.5		0.06	5.58	1	5.58	100.0%					
1D203	PASSAGE	100	9.5		0.06	6	1	6	0.9%		640	300		
1D204	PASSAGE	390	9.5		0.06	23.4	1	23.4	100.0%					
1D205	PASSAGE	200	9.5		0.06	12	1	12	2.8%		420	395		
1D210	ULTRASOUND	135	9	15	0.18	69.3	1	69.3	24.0%	3	45	220	121	25
1D211	TLT, PUBLIC	55	8			0	1							
1D212	ULTRASOUND	135	9	15	0.18	69.3	1	69.3	24.0%	3	45	220	121	25
1D213	ULTRASOUND	135	9	15	0.18	69.3	1	69.3	24.0%	3	45	220	121	25
1D214	TLT, PUBLIC	58	8			0	1							
1D215	ULTRASOUND	135	9	15	0.18	69.3	1	69.3	19.3%	3	45	290	290	45
1D216	SOILED UTILITY	97	8		0.12	11.64	1	11.64	100.0%					
1D220	WORKROOM	190	8	7.5	0.06	48.9	1	48.9	100.0%	5	100			
1D221	READING	175	8	5	0.06	25.5	1	25.5	100.0%	3	60			
1D222	RECEPT	215	9	5	0.06	27.9	1	27.9	100.0%	3	60			
1D223	SPECIMEN - BLOOD DRAW	86	9	10	0.18	35.48	1	35.48	100.0%	2	30			
1D224	SPECIMEN TOILET	71	8			0	1							
1D225	ULTRASOUND	190	9	15	0.18	94.2	1	94.2	22.7%	4	60	320	171	32
1D226	STAFF TLT	48	8			0	1							
1D227	CLEAN SUPPLY	105	9		0.12	12.6	1	12.6	8.0%			145	44	
1D240	CONSULT	91	9	5	0.06	25.46	1	25.46	2.6%	4	80	945	450	38
1D241	CONSULT	88	9	5	0.06	25.28	1	25.28	100.0%	4	80			
1D242	CONSULT	91	9	5	0.06	25.46	1	25.46	100.0%	4	80			

1D243	CONSULT	91	9	5	0.06	25.46	1	25.46	2.7%	4	80	925	450	39
1D244	CONSULT	88	9	5	0.06	25.28	1	25.28	100.0%	4	80			
1D245	MANAGER OFFICE	91	9	5	0.06	15.46	1	15.46	100.0%	2	40			
1D246	CALL CENTER	91	9	5	0.06	15.46	1	15.46	100.0%	2	40			
1D247	GENETIC COUNSELOR	89	9	5	0.06	20.34	1	20.34	100.0%	3	60			
1D248	NST	103	9	5	0.06	21.18	1	21.18	100.0%	3	60			
1D249	NST	105	9	5	0.06	21.3	1	21.3	100.0%	3	60			
1D302	PUBLIC TOILET	83	8				50	0		1				
1D303	TLT, PUBLIC	83	8				50	0		1				
1D304	CASH COLLECTION	75	9	5	0.06	9.5	1	9.5	2.8%	1	20	325	260	16
1D305	VENDING	160	9		0.06	9.6	1	9.6	100.0%					
1D306	SECURITY	95	9	5	0.06	10.7	1	10.7	100.0%	1	20			
1D307	RECP REG	105	10.7	5	0.06	36.3	1	36.3	100.0%	6	90			
1D308	WAIT ROOM	835	10.7	5	0.06	300.1	1	300.1	14.0%	50	750	1845	1823	741
1D320	STOR ALCOVE	84	9		0.06	5.04	1	5.04	100.0%					
1D321	MAJOR MED	138	9	15	0.18	69.84	1	69.84	100.0%	3	45			
1D322	MAJOR MED	135	9	15	0.18	69.3	1	69.3	100.0%	3	45			
1D323	MAJOR MED	140	9	15	0.18	70.2	1	70.2	100.0%	3	45			
1D324	PAT TLT	50	8				50	0		1				
1D325	MAJOR MED	140	9	15	0.18	70.2	1	70.2	100.0%	3	45			
1D326	HKPG	43	8		0.12	5.16	1	5.16	100.0%					
1D327	CLEAN SUPPLY	106	9		0.12	12.72	1	12.72	3.0%			405	380	
1D330	SOILED HOLD	105	8		0.12	12.6	1	12.6	100.0%					
1D331	MAJOR MED	140	9	15	0.18	70.2	1	70.2	20.6%	3	45	270	252	42
1D335	TEAM HUB	504	8	7.5	0.06	90.24	1	90.24	5.7%	8	160	1505	55	58
1D336	MAJOR MED	140	9	15	0.18	70.2	1	70.2	34.2%	3	45	135	135	45
1D340	ALL MAJOR MED	140	9	15	0.18	70.2	1	70.2	100.0%	3	45			
1D341	MAJOR MED	140	9	15	0.18	70.2	1	70.2	100.0%	3	45			
1D342	NURSE MNGR	90	9	5	0.06	15.4	1	15.4	100.0%	2	40			
1D350	STAFF LOUNGE	140	10	5	0.06	38.4	1	38.4	7.5%	6	120	475	249	63
1D351	MAJOR MED	250	9	15	0.18	120	1	120	100.0%	5	75			

1D355	OBSER TRANS	420	9	10	0.06		85.2	1	85.2	100.0%	6	150				
1D356	PAT TLT	60	8			50	0	1								
1D357	CONSULT	87	9	5	0.06		15.22	1	15.22	100.0%	2	40				
2A001	ELEV LOBBY	230	11.5	5	0.06		13.8	1	13.8	7.9%			160	150		
2A010	CORRIDOR	975	8.5		0.06		58.5	1	58.5	5.6%			990	450		
2A011	CORRIDOR	515	8.5		0.06		30.9	1	30.9	2.5%			1220	1000		
							0	1								
2A012	CORRIDOR	115	8		0.06		6.9	1	6.9	1.4%			490	200		
2A013	CORRIDOR	110	8		0.06		6.6	1	6.6	1.3%			490	190		
2A014	CORRIDOR	1040	8.5		0.06		62.4	1	62.4	6.3%			930	290		
2A015	CORRIDOR	520	8.5		0.06		31.2	1	31.2	7.1%			410	200		
2A030	CRASH CART	16	9		0.12		1.92	1	1.92	0.4%			490	190		
2A031	SOILED TRAY	16	8		0.12	1	1.92	1	1.92	100.0%						75
2A032	CRASH CART						0	1								
2A150	PASSAGE	106	8		0.12		12.72	1	12.72	4.3%			280	220		
2A151	MED RES ON CALL	92	8	15	0.18		31.56	1	31.56	100.0%	1	20				
2A152	TLT SHOWER	66	8		0.5	50	33	1	33	100.0%						150
2A153	MED RES ON CALL	98	8	15	0.18		32.64	1	32.64	17.9%	1	20	150	100	13	
2A155	MED RES ON CALL	92	8	15	0.18		31.56	1	31.56	100.0%	1	20				
2A156	TLT SHOWER	66	8		0.05	50	3.3	1	3.3	100.0%						
2A157	MED RES ON CALL	88	8	15	0.18		30.84	1	30.84	100.0%	1	20				
2A200	UNIT SECRETARY	125	8	5	0.06		17.5	1	17.5	100.0%	2	40				
2A201	FAMILY WAITING	625	10	5	0.06		227.5	1	227.5	13.2%	38	570	1500	590	224	
2A202	KITCHEN	35	8	7.5	0.18	0.3	13.8	1	13.8	100.0%	1	15				
2A203	TLT	66	8			50	0	1								75
2A205	CONSULT	75	10	5	6		465	1	465	100.0%	3	60				
2A210	SOILED HOLD	104	8		0.12	1	12.48	1	12.48	100.0%						280
2A211	CLEAN SUPPLY	120	9		0.12		14.4	1	14.4	100.0%						
2A212	FLEX WORKROOM	120	8	7.5	0.06		37.2	1	37.2	100.0%	4	80				
2A213	TEAM HUB	168	8	7.5	0.06		40.08	1	40.08	100.0%	4	80				
2A214	MEDS	120	8	15	0.18		21.6	1	21.6	100.0%						

2A215	CLEAN SUPPLY	120	9		0.12	14.4	1	14.4	100.0%								
2A216	ASST NURSE MGR OFFICE	105	8	5	0.06	16.3	1	16.3	100.0%	2	40						
2A217	TEAM HUB	182	8	7.5	0.06	40.92	1	40.92	100.0%	4	80						
2A250	NOURISHMENT	100	8	10	0.18	18	1	18	5.7%			300	200				
2A251	EQUIPMENT STORAGE	115	9		0.12	13.8	1	13.8	100.0%								
2A252	CLEAN SUPPLY	120	9		0.12	14.4	1	14.4	100.0%								
2A253	MEDS ROOM	125	8	15	0.18	22.5	1	22.5	100.0%								
2A254	TEAM HUB	170	8	7.5	0.06	40.2	1	40.2	100.0%	4	80						
2A255	FLEX WORKROOM	120	8	7.5	0.06	44.7	1	44.7	100.0%	5	100						
2A256	CLEAN SUPPLY	120	9		0.12	14.4	1	14.4	5.1%			270	270				
2A257	SOILED HOLD	105	8		0.12	12.6	1	12.6	100.0%								150
2A300	FAMILY WAIT	452	9	5	0.06	162.12	1	162.12	100.0%	27	405						
2A301	TLT, PUBLIC	66	8			0	1										75
2A305	EQUIPMENT STORAGE	162	9		0.12	19.44	1	19.44	100.0%								
2A330	STAFF LOUNGE	200	9	5	0.06	52	1	52	8.8%	8	160	540	300	89			
2A331	STAFF TOILET	66	8			0	1										75
2A020	NURSE ALCOVE	22	7.5		0.06	1.32	1	1.32	100.0%	1							
2A021	NURSE ALCOVE	22	7.5		0.06	1.32	1	1.32	100.0%	1							
2A022	NURSE ALCOVE	22	7.5		0.06	1.32	1	1.32	100.0%	1							
2A023	NURSE ALCOVE	22	7.5		0.06	1.32	1	1.32	100.0%	1							
2A024	NURSE ALCOVE	22	7.5		0.06	1.32	1	1.32	100.0%	1							
2A025	NURSE ALCOVE	22	7.5		0.06	1.32	1	1.32	100.0%	1							
2A040	NURSE ALCOVE	22	7.5		0.06	1.32	1	1.32	100.0%	1							
2A041	NURSE ALCOVE	22	7.5		0.06	1.32	1	1.32	100.0%	1							
2A042	NURSE ALCOVE	22	7.5		0.06	1.32	1	1.32	100.0%	1							
2A043	NURSE ALCOVE	22	7.5		0.06	1.32	1	1.32	100.0%	1							
2A044	NURSE ALCOVE	22	7.5		0.06	1.32	1	1.32	100.0%	1							
2A045	NURSE ALCOVE	22	7.5		0.06	1.32	1	1.32	100.0%	1							
2B100	STAFF TOILET		8			0	1										75
2B101	ICU HSKG	52	8		0.12	6.24	1	6.24	100.0%								50
2B130	EQUIP RT STOR	165	9		0.12	19.8	1	19.8	100.0%								

2B001	CORRIDOR	470	8.3	0.06	28.2	1	28.2	6.9%			380	90		
2B002	CORRIDOR	150	9.3	0.06	9	1	9	100.0%						
2B003	CORRIDOR	95	9.3	0.06	5.7	1	5.7	100.0%						
2B005	CORRIDOR	670	9.3	0.06	40.2	1	40.2	3.4%			1150	280		
2B006	CORRIDOR	325	8.3	0.06	19.5	1	19.5	100.0%						
2B007	CORRIDOR	210	9.3	0.06	12.6	1	12.6	2.4%			505	590		
2B008	CORRIDOR	216	8.3	0.06	12.96	1	12.96	100.0%						
2B009	CORRIDOR	182	9.3	0.06	10.92	1	10.92	0.7%			1560	590		
2B010	CORRIDOR	620	9.3	0.06	37.2	1	37.2	100.0%						
2B101	ICU HSKG	52	8	0.12	6.24	1	6.24	100.0%						50
2B102	ICU APN OFFICE	90	9	5	0.06	30.4	1	30.4	6.5%	5	100	440	290	66
2B103	ICU NURSE MNGR OFFICE	138	9	5	0.06	18.28	1	18.28	100.0%	2	40			
2B104	STAFF TOILET	66	8			50	0	1						75
2B105	ICU LOCKERS	155	9		0.5	0.5	77.5	1	77.5	100.0%				90
2B106	PP LOCKERS	105	9		0.5	0.5	52.5	1	52.5	100.0%				90
2B107	BLOOD GAS LAB	76	8	10	0.18		13.68	1	13.68	100.0%				90
2B108	PP DIRECTOR OFFICE	140	9	5	0.06	18.4	1	18.4	5.0%	2	40	350	185	21
2B109	INTENSIVIST OFFICE	115	9	5	0.06	16.9	1	16.9	100.0%	2	40			
2B120	MOBILE IMAGE	39	8.3	5	0.06	2.34	1	2.34	100.0%					
2B130	EQUIP RT STOR	165	9		0.12		19.8	1	19.8	100.0%				
2B131	TANK ROOM	16	9		0.12		1.92	1	1.92	100.0%				
2B140	CHUTE ROOM	50	8		0.12		6	1	6	100.0%				120
2B141	ELECTRICAL	153	15.3		0.06		9.18	1	9.18	0.8%		1100	1100	
2B142	TELECOMM	185	15.3		0.06		11.1	1	11.1	2.2%		500	600	
2B143	EVS CLOSET	66	8		0.06		3.96	1	3.96	100.0%				50
2B151	NOURISHMENT HSKG				0.12		0	1						
2B150	ONCALL LOUNGE	225	9	5	0.06	38.5	1	38.5	9.9%	5	100	350	100	29
2B151	NURSERY HSKG	40	8		0.12	4.8	1	4.8	100.0%					50
2B160	TELEMETRY AUX RM	16	9	5	0.06	0.96	1	0.96	100.0%					
2C001	ELEV LOBBY	260	11.5	5	0.06	15.6	1	15.6	12.4%			110	110	
2C010	CORRIDOR	845	8.5		0.06	50.7	1	50.7	7.1%			660	400	

2C011	CORRIDOR	765	8.5	0.06	45.9	1	45.9	6.2%			700	500		
2C012	CORRIDOR	144	8	0.06	8.64	1	8.64	3.1%			270	120		
2C013	CORRIDOR	955	8.5	0.06	57.3	1	57.3	100.0%						
2C014	CORRIDOR	830	8.5	0.06	49.8	1	49.8	100.0%						
2C015	CORRIDOR	110	8	0.06	6.6	1	6.6	100.0%						
2C200	UNIT SECRETARY	87	8	5	0.06	10.22	1	10.22	100.0%	1	20			
2C201	FAMILY WAITING	585	10	5	0.06	210.1	1	210.1	12.3%	35	525	1500	660	231
2C202	KITCHEN	54	8	7.5	0.06	10.74	1	10.74	100.0%	1	15			
2C203	PUBLIC TOILET	50	8			50	0	1						75
2C205	SOILED HOLD	105	8		0.12	1	12.6	1	12.6	100.0%				240
2C206	CONSULT	88	10	5	0.06	20.28	1	20.28	100.0%	3	60			
2C207	APN LACT OFFICE	108	8	5	0.06	16.48	1	16.48	3.6%	2	40	440	160	15
2C208	CLEAN SUPPLY	126	9		0.12	15.12	1	15.12	100.0%					
2C209	EQUIPMENT	42	9		0.12	5.04	1	5.04	1.3%			390	200	
2C210	TEAM HUB	146	8	7.5	0.06	38.76	1	38.76	100.0%	4	80			
2C211	MEDS	49	8	15	0.181	23.869	1	23.869	100.0%	1	15			
2C212	CLINICAL WRK RM	73	8	7.5	0.06	19.38	1	19.38	100.0%	2	40			
2C215	16 BASEMENT NURSERY	1020	10.5	10	0.18	383.6	1	383.6	25.2%	20	300	1140	500	132
2C216	FORMULA PREP	60	8	15	0.12	22.2	1	22.2	100.0%	1	15			
2C217	PHOTO ROOM	36	8	5	0.06	7.16	1	7.16	100.0%	1	15			
2C220	STAFF WORK ROOM	175	8	7.5	0.06	40.5	1	40.5	100.0%	4	80			
2C231	STAFF TOILET	50	8			50	0	1						75
2C250	12 BASSINET NURSERY	755	10.5	10	0.18	285.9	1	285.9	20.6%	15	225	1100	500	102
2C251	CAR SEAT - HEARG TEST	74	8	10	0.06	34.44	1	34.44	100.0%	3	45			
2C252	PROCEDURE ROOM	105	9	10	0.06	46.3	1	46.3	100.0%	4	60			
2C260	TEAM HUB	149	8	7.5	0.06	38.94	1	38.94	100.0%	4	80			
2C261	CLINICAL WRK RM	78	8	7.5	0.06	19.68	1	19.68	100.0%	2	40			
2C262	MEDS	61	8	15	0.18	25.98	1	25.98	100.0%	1	15			
2C270	CLEAN SUPPLY	126	9		0.12	15.12	1	15.12	7.0%			200	200	
2C271	SOILED HOLD	104	8		0.12	1	12.48	1	12.48	100.0%				230
2C272	NOURISHMENT	70	8	10	0.18	12.6	1	12.6	4.0%			300	150	

2C273	EQUIPMENT STORAGE	64	9		0.12	7.68	1	7.68	100.0%					
2C330	STAFF LOUNGE	205	9	5	0.06	42.3	1	42.3	8.8%	6	120	440	360	98
2C362	ANTE ROOM	40	8		0.12	4.8	1	4.8	100.0%	1				
2C365	ASST NURSE MGR OFFICE	94	8	5	0.06	15.64	1	15.64	100.0%	2	40			
2D001	CORRIDOR	575	9		0.06	34.5	1	34.5	100.0%					
2D002	CORRIDOR	150	9		0.06	9	1	9	100.0%					
2D003	CORRIDOR	155	9		0.06	9.3	1	9.3	100.0%					
2D004	CORRIDOR	130	9		0.06	7.8	1	7.8	100.0%					
2D005	CORRIDOR	1050	9		0.06	63	1	63	11.0%			510	160	
2D006	CORRIDOR	225	9		0.06	13.5	1	13.5	100.0%					
2D007	CORRIDOR	120	9		0.06	7.2	1	7.2	100.0%					
2D008	CORRIDOR	185	9		0.06	11.1	1	11.1	100.0%					
2D009	CORRIDOR	550	9		0.06	33	1	33	8.4%			360	250	
2D021	ALCOVE	24	8		0.06	1.44	1	1.44	100.0%					
2D022	NOURISHMENT	13	9	10	0.18	2.34	1	2.34	100.0%					
2D039	ALCOVE	24	8		0.06	1.44	1	1.44	100.0%					
2D040	ALCOVE	24	8		0.06	1.44	1	1.44	100.0%					
2D041	ALCOVE	24	8		0.06	1.44	1	1.44	100.0%					
2D050	ALCOVE	24	8		0.06	1.44	1	1.44	100.0%					
2D100	ECHO US NICD	165	9	10	0.06	39.9	1	39.9	11.7%	3	45	300	150	23
2D101	ECHO US NICD	170	9	10	0.06	40.2	1	40.2	11.8%	3	45	300	155	23
2D102	PAT TLT	44	8			50	0	1						75
2D103	IP HOLD (NICD)	225	9	10	0.06	53.5	1	53.5	10.4%	4	60	460	460	60
2D105	IP HOLD (NICD)	195	9	10	0.06	51.7	1	51.7	100.0%	4	60			
2D106	PAT TLT	44	8			50	0	1						75
2D107	STRESS TEST NUC	225	9	10	0.06	63.5	1	63.5	9.9%	5	75	575	250	33
2D108	STRESS TEST NUC	195	9	10	0.06	51.7	1	51.7	8.3%	4	60	570	200	21
2D110	US STRESS TECH WK RM	89	9	7.5	0.06	20.34	1	20.34	100.0%	2	40			
2D111	CARDIO READING	305	9	10	0.12	76.6	1	76.6	18.0%	4	80	350	175	40
2D112	OUTPAT EXAM	79	9	10	0.12	29.48	1	29.48	5.0%	2	30	555	300	16
2D113	DIRECT OFFICE	125	9	5	0.06	17.5	1	17.5	100.0%	2	40			

2D114	TRANSPORT	104	9	5	0.06		11.24	1	11.24	2.2%	1		490	350		
2D115	STAFF LKR RM	225	9	10	0.06	0.5	13.5	1	13.5	1.9%			695	250		
2D116	STAFF TLT	46	8			50	0	1								75
2D120	PASSAGE	97	9		0.06		5.82	1	5.82	1.6%			350	350		
2D121	OFFICE MGR(RAD)	95	8	5	0.06		15.7	1	15.7	100.0%	2	40				
2D122	OFFICE MGR(US)	98	9	5	0.06		15.88	1	15.88	100.0%	2	40				
2D123	OFFICE DIRECT (RAD)	115	9	5	0.06		16.9	1	16.9	5.3%	2	40	305	150	20	
2D124	CLEAN SUPPLY	135	9		0.12		16.2	1	16.2	100.0%						
2D125	STAFF LKRS (RAD)	265	9	10	0.06		15.9	1	15.9	3.2%			485	200		485
2D130	IP HOLD	75	9	10	0.12		39	1	39	6.1%	3	45	605	430	32	
2D131	PATIENT TLT	46	8			50	0	1								75
2D132	CLIN CARE MGR	88	9	5	0.06		15.28	1	15.28	4.8%	2	40	300	150	20	
2D133	MRI CONTROL	225	9	5	0.06		28.5	1	28.5	5.0%	3	60	540	175	19	
2D134	MRI	525	9.5	15	0.12		228	1	228	21.3%	11	165	840	475	93	
2D135	MRI ELEC ROOM (CRAC)	525	9		0.06		31.5	1	31.5	100.0%						
2D200	ALCOVE	24	8		0.06		1.44	1	1.44	100.0%						
2D201	EQUIP ALCOVE	150	9		0.06		9	1	9	1.4%			635	350		
2D203	ALCOVE	24	8		0.06		1.44	1	1.44	100.0%						
2D205	FLOURO	330	9.5	15	0.12		144.6	1	144.6	26.1%	7	105	410	315	81	
2D206	PAT TLT	45	8			50	0	1								75
2D210	TECH WORK	92	9	5	0.06		15.52	1	15.52	100.0%	2	40				
2D215	FLOURO	330	9.5	15	0.12		144.6	1	144.6	23.3%	7	105	475	315	70	
2D216	PATIENT TLT	46	8			50	0	1								75
2D218	EQUIP STORAGE	66	9		0.12		7.92	1	7.92	1.5%			520	315		
2D220	RAD - TOMO	325	9.5	15	0.12		144	1	144	100.0%	7	105				
2D225	TECH WORK	92	9	15	0.06		35.52	1	35.52	7.8%	2	40	420	315	300	
2D230	RAD - TOMO	325	9.5	15	0.12		144	1	144	100.0%	7	105				
2D305	CT	400	9.5	15	0.12		168	1	168	5.8%	8	120	2730	135	5	
2D306	PATIENT TLT	45	8			50	0	1								75
2D307	CT EQUIP	53	9		0.12		6.36	1	6.36	100.0%						
2D308	CT CONTROL	135	9	5	0.06		18.1	1	18.1	3.0%	2	40	580	175	12	

2D310	IP HOLD	320	9	10	0.12		98.4	1	98.4	100.0%	6	90				
2D311	PAT TLT	45	8			50	0	1								75
2D315	CONSULT	58	8	5	0.06		13.48	1	13.48	2.4%	2	40	550	165	12	
2D316	RAD READ	450	9	5	0.06		52	1	52	100.0%	5	100				
2D317	CT 3D PROCESS	120	9	10	0.12		34.4	1	34.4	11.1%	2	30	275	80	9	
2D318	CONF	120	9	5	0.06		32.2	1	32.2	100.0%	5	120				
2D320	US	180	9	10	0.12		61.6	1	61.6	10.1%	4	60	550	165	37	
2D321	PATIENT TLT	52	8			50	0	1								75
2D322	US	180	9	10	0.12		61.6	1	61.6	18.9%	4	60	265	190	43	
2D323	TECH WORK	95	8	5	0.6		72	1	72	18.4%	3	60	320	175	33	
2D324	ULTRA SOUND	185	9	15	0.18		93.3	1	93.3	100.0%	4	60				
2D325	IP HOLD	150	9	5	0.06		24	1	24	100.0%	3	45				
2D326	HSKG	40	9		0.12		4.8	1	4.8	100.0%						75
2D330	PASSAGE	115	9		0.06		6.9	1	6.9	100.0%						
2D331	STF TLT	45	8			50	0	1								75
2D332	STF TLT	45	8			50	0	1								75
2D333	STORAGE	20	9		0.12		2.4	1	2.4	100.0%						
2D334	PHYSICIST OFFICE	84	8	5	0.06		15.04	1	15.04	4.4%	2	40	330	330	40	
2D335	PROCED RN WKRM - OFFICE	90	8	7.5	0.06		20.4	1	20.4	100.0%	2	40				
2D336	SOILED HOLDING	112	9		0.12	1	13.44	1	13.44	100.0%						200
2D340	PASSAGE	375	9		0.06		22.5	1	22.5	5.0%			430	430		
2D345	NUC MED CAMERA	306	9	5	0.06		48.36	1	48.36	6.8%	6	90	660	660	90	750
2D346	NUC MED CAMERA	313	9	5	0.06		48.78	1	48.78	6.9%	6	90	660	660	90	750
2D347	HOT LAB	106	9	10	0.18	1	19.08	1	19.08	100.0%						200
2D348	NUC MED INJEC	82	9	10	0.18		34.76	1	34.76	100.0%	2	30				
2D349	PAT SUBWAIT	69	9	5	0.06		14.14	1	14.14	100.0%	2	30				
2D350	NUC MED CAMERA	333	9	5	0.06		54.98	1	54.98	7.7%	7	105	660	660	105	760
2D351	STRESS TEST	176	9	10	0.06		50.56	1	50.56	9.0%	4	60	510	160	19	
2D352	NUC MED WRK RM	108	9	7.5	0.06		21.48	1	21.48	100.0%	2	40				
2D600	PASSAGE	103	8		0.06		6.18	1	6.18	100.0%						
2D601	OB ONCALL	107	8	20	0.12		32.84	1	32.84	26.7%	1	20	90	90	20	

2D602	ONCALL TLT	61	8		50	0	1													100	
2D603	OB ONCALL	118	8	20	0.12	34.16	1	34.16	100.0%	1	20										
2D604	OB ONCALL	110	8	20	0.12	33.2	1	33.2	100.0%	1	20										
2D605	OB ONCALL	98	8	20	0.12	31.76	1	31.76	21.6%	1	20	115	115							20	
2D606	OB ONCALL	98	8	20	0.12	31.76	1	31.76	26.1%	1	20	90	90							20	
2D610	PASSAGE	103	8		0.06	6.18	1	6.18	100.0%												
2D611	OB ONCALL	98	8	20	0.12	31.76	1	31.76	100.0%	1	20										
2D612	ONCALL TLT	71	8																	100	
2D613	OB ONCALL	98	8	20	0.12	31.76	1	31.76	100.0%	1	20										
2D614	ONCALL TLT	67	8																	100	
2D615	OB ONCALL	111	8	20	0.12	33.32	1	33.32	27.0%	1	20	90	90							20	
2D616	ONCALL TLT	63	8																	100	
2D617	OB ONCALL	118	8	20	0.12	34.16	1	34.16	22.2%	1	20	120	120							20	
2D618	ONCALL TLT	61	8																	100	
2D619	OB ONCALL	107	8	20	0.12	32.84	1	32.84	100.0%	1	20										
2E001	CNTL ACCESS CORRIDOR	560	9.3		0.06	33.6	1	33.6	100.0%												
2E002	CNTL ACCESS CORRIDOR	182	8.3		0.06	10.92	1	10.92	1.9%			550	550								
2E003	CORRIDOR	743	9.3		0.06	44.58	1	44.58	100.0%												
2E004	PASSAGE	157	8.3		0.06	9.42	1	9.42	100.0%												
2E005	PASSAGE	494	9.3		0.06	29.64	1	29.64	100.0%												
2E007	PASSAGE	199	9.3		0.06	11.94	1	11.94	1.9%			615	300								
2E008	CNTL ACCESS CORRIDOR	1222	9.3		0.06	73.32	1	73.32	100.0%												
2E010	CORRIDOR	484	9.3		0.06	29.04	1	29.04	6.1%			445	445								
2E101	ELEC ROOM	156	15.3		0.06	9.36	1	9.36	0.8%			1100									
2E102	INT CLINICAL OFFICE	151	8	5	0.06	19.06	1	19.06	100.0%	2	40										
2E201	SURGERY TRAINING	259	9	5	0.06	80.54	1	80.54	31.5%	13	195	175	50							56	
2E202	SATELLITE PHARMACY	263	9	5	0.18	72.34	1	72.34	16.2%	5	75	375	375							75	
2E203	HOOD ROOM	40	8		0.12	4.8	1	4.8	100.0%												
2E301	ELEC ROOM	140	15.3		0.06	8.4	1	8.4	0.8%			1000									
2E302	DIRECTORS OFFICE	151	9	5	0.06	19.06	1	19.06	24.1%	2	40	60	50							33	
2E310	CHUTE RM	85	9		0.12	10.2	1	10.2	100.0%												115

2E400	ELEC ROOM OR IMAGING	163	9	5	0.06	9.78	1	9.78	0.8%			1160		
2E401	TELECOMM	158	15.3		0.06	9.48	1	9.48	0.8%			1130		
2E405	CONSULT	104	10.5	5	0.06	26.24	1	26.24	100.0%	4	80			
2E415	WAITING	1250	10.5	5	0.06	450	1	450	44.6%	75	1125	560	300	603
2E420	CLERICAL ASST	111	10.5	5	0.06	11.66	1	11.66	100.0%	1	20			
2E421	PUBLIC TOILET	45	8			50	0	1						75
2E422	PUBLIC TOILET	45	8			50	0	1						75
2E501	TELECOMM	243	15.3		0.06	14.58	1	14.58	2.4%			600		
3A001	ELEV LOBBY	484	11.5	5	0.06	29.04	1	29.04	19.5%			120	120	
3A010	CORRIDOR	960	8.5		0.06	57.6	1	57.6	6.1%			890	400	
3A011	CORRIDOR	560	8.5		0.06	33.6	1	33.6	2.7%			1210	800	
3A012	CORRIDOR	112	8		0.06	6.72	1	6.72	5.8%			110	110	
3A014	CORRIDOR	1040	8.5		0.06	62.4	1	62.4	100.0%					
3A015	CORRIDOR	560	8.5		0.06	33.6	1	33.6	100.0%					
3A031	CRASH CART	15	8	5	0.06	0.9	1	0.9	100.0%					
3A032	SOILED TRAY	15	8		0.12	1	1.8	1	1.8	100.0%				75
3A200	UNIT SECRETARY	130	8	5	0.06	12.8	1	12.8	100.0%	1	20			
3A201	FAMILY WAITING	775	10	5	0.06	281.5	1	281.5	19.4%	47	705	1170	600	362
3A202	KITCHEN	90	8	7.5	0.06	0.3	5.4	1	5.4	100.0%				
3A203	PUBLIC TOILET	50	8			50	0	1						75
3A205	CONSULT	80	10	5	0.06	19.8	1	19.8	100.0%	3				
3A210	SOILED HOLD	125	8		0.12	1	15	1	15	4.3%		330	240	170
3A211	CLEAN SUPPLY	125	9		0.12	15	1	15	100.0%					
3A212	FLEX WORKROOM	140	8	7.5	0.06	38.4	1	38.4	100.0%	4	80			
3A213	TEAM HUB	160	8	7.5	0.06	39.6	1	39.6	100.0%	4	80			
3A214	MEDS ROOM	100	8	15	0.18	18	1	18	9.6%			170	100	
3A215	CLEAN SUPPLY	135	9		0.12	16.2	1	16.2	100.0%					
3A216	ASST NURSE MGR	100	8	5	0.06	16	1	16	100.0%	2	40			
3A217	TEAM HUB	160	8	7.5	0.06	39.6	1	39.6	100.0%	4	80			
3A250	NOURISHMENT	100	8	10	0.18	18	1	18	5.7%			300	180	
3A251	EQUIP RM	135	9		0.12	16.2	1	16.2	100.0%					

3A252	CLEAN SUPPLY	135	9		0.12	16.2	1	16.2	100.0%					
3A253	MEDS ROOM	95	8	10	0.18	17.1	1	17.1	100.0%					
3A254	TEAM HUB	160	8	7.5	0.06	39.6	1	39.6	100.0%	4	80			
3A255	FLEX WORKROOM	125	8	7.5	0.06	37.5	1	37.5	9.7%	4	80	350	270	62
3A356	CLEAN SUPPLY	125	9		0.12	15	1	15	100.0%					
3A357	SOILED HOLD	120	8		0.12	1	14.4	1	14.4	100.0%				120
3A358	EQUIP STOR	135	9		0.12	16.2	1	16.2	100.0%					
3A342	ANTE ROOM	35	8		0.12	4.2	1	4.2	100.0%					
3A020	ALCOVE	22	7.5		0.06	1.32	1	1.32	100.0%	1				
3A021	ALCOVE	22	7.5		0.06	1.32	1	1.32	100.0%	1				
3A022	ALCOVE	22	7.5		0.06	1.32	1	1.32	100.0%	1				
3A023	ALCOVE	22	7.5		0.06	1.32	1	1.32	100.0%	1				
3A024	ALCOVE	22	7.5		0.06	1.32	1	1.32	100.0%	1				
3A025	ALCOVE	22	7.5		0.06	1.32	1	1.32	100.0%	1				
3A040	ALCOVE	22	7.5		0.06	1.32	1	1.32	100.0%	1				
3A041	ALCOVE	22	7.5		0.06	1.32	1	1.32	100.0%	1				
3A042	ALCOVE	22	7.5		0.06	1.32	1	1.32	100.0%	1				
3A043	ALCOVE	22	7.5		0.06	1.32	1	1.32	100.0%	1				
3A044	ALCOVE	22	7.5		0.06	1.32	1	1.32	100.0%	1				
3A045	ALCOVE	22	7.5		0.06	1.32	1	1.32	100.0%	1				
3B001	CORRIDOR	435	8.3		0.06	26.1	1	26.1	1.8%			1390	500	
3B002	CORRIDOR	145	9.3		0.06	8.7	1	8.7	100.0%					
3B003	CORRIDOR	100	9.3		0.06	6	1	6	100.0%					
3B005	CORRIDOR	555	8.3		0.06	33.3	1	33.3	100.0%					
3B006	ELEV LOBBY	324	8.3	5	0.06	19.44	1	19.44	2.3%			835	320	
3B007	CORRIDOR	336	9.3		0.06	20.16	1	20.16	2.3%			840	320	
3B008	CORRIDOR	190	8.3		0.06	11.4	1	11.4	100.0%					
3B009	CORRIDOR	320	9.3		0.06	19.2	1	19.2	100.0%					
3B010	CORRIDOR	540	9.3		0.06	32.4	1	32.4	3.5%			900	350	
3B100	STAFF TOILET	50	8			0	1							75
3B101	STAIR ALCOVE	51	9.3		0.06	3.06	1	3.06	100.0%					

3B102	PCU APN OFC	90	9	5	0.06		30.4	1	30.4	6.5%	5	100	440	300	68	
3B103	PCU DIRECTOR	140	9	5	0.06		18.4	1	18.4	100.0%	2	40				
3B104	CONFERENCE ROOM	175	9	5	0.06		50.5	1	50.5	12.6%	8	160	350	80	37	
3B105	PCU LOCKERS	104	9	10	0.06	0.5	6.24	1	6.24	100.0%						120
3B106	PP LOCKERS	104	9	10	0.06	0.5	6.24	1	6.24	100.0%						120
3B108	PP DIRECTOR OFFICE	136	9	5	0.06		18.16	1	18.16	5.5%	2	40	310	230	30	
3B109	PP ASST NURSE MGR	115	9	5	0.06		16.9	1	16.9	100.0%	2	40				
3B120	MOBILE IMAGE	35	8.3	5	0.06		2.1	1	2.1	100.0%						
3B130	HSKG	56	8		0.12		6.72	1	6.72	100.0%						50
3B131	TANK ROOM	16	9		0.12		1.92	1	1.92	100.0%						
3B140	CHUTE ROOM	50	9		0.12		6	1	6	100.0%						120
3B141	ELECTRICAL	153	15.3		0.06		9.18	1	9.18	0.9%			1000	1000		
2B142	TELECOMM	188	15.3		0.06		11.28	1	11.28	1.8%			600	600		
2B143	EVS CLOSET	76	9		0.06		4.56	1	4.56	100.0%						50
2B150	HOMECARE COORD	85	8	5	0.06		15.1	1	15.1	3.6%	2	40	410	150	15	
3B152	NURSERY HSKG	41	8		0.12		4.92	1	4.92	100.0%						50
3C001	ELEV LOBBY	205	11.5	5	0.06		12.3	1	12.3	10.1%			110	110		
3C010	CORRIDOR	855	8.5		0.06		51.3	1	51.3	7.2%			660	400		
3C011	CORRIDOR	765	8.5		0.06		45.9	1	45.9	6.0%			720	420		
3C012	CORRIDOR	145	8		0.06		8.7	1	8.7	3.1%			270	120		
3C013	CORRIDOR	955	8.5		0.06		57.3	1	57.3	100.0%						
3C014	CORRIDOR	830	8.5		0.06		49.8	1	49.8	100.0%						
3C015	CORRIDOR	112	8		0.06		6.72	1	6.72	100.0%						
3C200	UNIT SECRETARY	90	8	5	0.06		10.4	1	10.4	100.0%	1	20				
3C201	FAMILY WAITING	748	10	5	0.06		269.88	1	269.88	15.2%	45	900	1500	660	395	
3C202	KITCHEN	35	8	7.5	0.18		13.8	1	13.8	100.0%	1					
3C203	PUBLIC TOILET	50	8			50	0	1								75
3C205	SOILED HOLD	100	8		0.12	1	12	1	12	100.0%						240
3C206	CONSULT	75	10	5	0.06		19.5	1	19.5	100.0%	3	60				
3C207	APN LACT OFFICE	108	8	5	0.06		16.48	1	16.48	3.6%	2	40	440	160	15	
3C208	CLEAN SUPPLY	116	9		0.12		13.92	1	13.92	100.0%						

3C209	EQUIP RM	105	9	0.12		12.6	1	12.6	3.1%			390	200		
3C210	TEAM HUB	142	8	7.5	0.06	38.52	1	38.52	100.0%	4	80				
3C211	MEDS	68	8	15	0.18	42.24	1	42.24	100.0%	2	30				
3C212	CLINICAL WRK RM	69	8	7.5	0.06	131.64	1	131.64	100.0%	17	340				
3C215	16 BASSINET NURSERY	760	10.5	10	0.18	336.8	1	336.8	22.8%	20	300	1140	500	132	
3C216	FORMULA PREP	60	8	15	0.12	22.2	1	22.2	100.0%	1	15				
3C217	PHOTO ROOM	60	8	5	0.06	18.6	1	18.6	100.0%	3	60				
3C220	STAFF WORK ROOM	150	8	7.5	0.06	39	1	39	100.0%	4	80				
3C231	STAFF TOILET	50	8			0	1								75
3C250	12 BASSINET NURSERY	760	10.5	10	0.18	286.8	1	286.8	20.8%	15	225	1090	500	103	
3C251	CAR SEAT - HEARG TEST	70	8	10	0.06	34.2	1	34.2	100.0%	3	45				
3C252	PROCEDURE ROOM	105	9	10	0.06	46.3	1	46.3	100.0%	4	60				
3C260	TEAM HUB	140	8	7.5	0.06	38.4	1	38.4	100.0%	4	80				
3C261	CLINICAL WRK RM	67	8	7.5	0.06	34.02	1	34.02	100.0%	4					
3C262	MEDS	68	8	15	0.18	12.24	1	12.24	100.0%						
3C270	CLEAN SUPPLY	120	9		0.12	14.4	1	14.4	6.7%			200	200		
3C271	SOILED HOLD	88	8		0.12	10.56	1	10.56	100.0%						230
3C272	NOURISHMENT	70	8	10	0.18	12.6	1	12.6	4.0%			300	150		
3C273	EQUIPMENT STORAGE	78	9		0.12	9.36	1	9.36	100.0%						
3C330	STAFF LOUNGE	210	9	5	0.06	52.6	1	52.6	10.7%	8	160	440	360	131	
3C362	ANTE ROOM	40	8		0.12	4.8	1	4.8	100.0%						
3C365	FAMILY ROOM	145	9	5	0.06	28.7	1	28.7	100.0%	4	80				
3C366	FAMILY TLT	67	8			0	1								50
3D001	CORRIDOR	132	9		0.06	7.92	1	7.92	100.0%						
3D002	CORRIDOR	419	9		0.06	25.14	1	25.14	4.4%			540	165		
3D003	CORRIDOR	151	9		0.06	9.06	1	9.06	100.0%						
3D004	PASSAGE	102	9		0.06	6.12	1	6.12	100.0%						
3D005	CORRIDOR	1072	9		0.06	64.32	1	64.32	5.3%			1160	700		
3D006	CORRIDOR	192	9		0.06	11.52	1	11.52	100.0%						
3D007	CORRIDOR	106	9		0.06	6.36	1	6.36	100.0%						
3D008	CORRIDOR	560	9		0.06	33.6	1	33.6	5.0%			645	200		

3D020	NURSE ALCOVE	22	7.5	0.06		1.32	1	1.32	100.0%	1				
3D021	NURSE ALCOVE	22	7.5	0.06		1.32	1	1.32	100.0%	1				
3D022	NURSE ALCOVE	22	7.5	0.06		1.32	1	1.32	100.0%	1				
3D023	NURSE ALCOVE	22	7.5	0.06		1.32	1	1.32	100.0%	1				
3D024	NURSE ALCOVE	22	7.5	0.06		1.32	1	1.32	100.0%	1				
3D025	NURSE ALCOVE	22	7.5	0.06		1.32	1	1.32	100.0%	1				
3D026	NURSE ALCOVE	22	7.5	0.06		1.32	1	1.32	100.0%	1				
3D027	NURSE ALCOVE	22	7.5	0.06		1.32	1	1.32	100.0%	1				
3D100	ONCALL WRK LOUNGE	373	9	7.5	0.06	97.38	1	97.38	17.5%	10	200	460	350	152
3D101	OB ON CALL	105	8	20	0.12	32.6	1	32.6	18.9%	1	20	140	100	14
3D102	ONCALL TLT	59	8			0	1							75
3D103	OB ON CALL	106	8	20	0.12	32.72	1	32.72	100.0%	1				
3D190	SOILED UTILITY	115	8		0.12	13.8	1	13.8	100.0%					155
3D191	HSKG	32	8		0.12	3.84	1	3.84	100.0%					
3D300	ASST NURS MGR	131	8	5	0.06	17.86	1	17.86	3.9%	2	40	440	250	23
3D301	CONSULT	114	8	5	0.06	31.84	1	31.84	10.4%	5	100	275	85	31
3D302	DIRECTORS OFFICE	135	8	5	0.06	18.1	1	18.1	100.0%	2	40			
3D303	CLEAN SUPPLY EQUIP	192	9		0.12	23.04	1	23.04	100.0%					
3D305	TEAM HUB	148	8	7.5	0.06	23.88	1	23.88	100.0%	2	40			
3D306	MEDS	100	8	15	0.18	48	1	48	100.0%	2	30			
3D307	NOURISHMENT	73	8	10	0.18	13.14	1	13.14	100.0%					
3D308	STAFF WRK	158	9	5	0.06	34.48	1	34.48	9.0%	5	100	350	200	57
3D350	STAFF LOCKERS	173	9	10	0.06	10.38	1	10.38	100.0%					90
3D351	STAFF LOUNGE	215	9	5	0.06	42.9	1	42.9	100.0%	6	120			
3D353	CLEAN SUPPLY	300	9		0.12	36	1	36	13.3%			235	50	
3D355	TEAM HUB	163	8	7.5	0.06	24.78	1	24.78	100.0%	2	40			
3D356	MEDS	100	8	15	0.18	48	1	48	100.0%	2	30			
3D357	STAFF TLT	53	8			0	1							75
3D358	STAFF WORK ROOM	150	9	7.5	0.06	46.5	1	46.5	6.8%	5	100	635	400	63
3D400	PASSAGE	95	8		0.06	5.7	1	5.7	100.0%					
3D401	OB ONCALL	98	8	20	0.12	31.76	1	31.76	21.6%	1	20	115	100	17

3D402	ON CALL TLT SHW	63	8	0.5	50	31.5	1	31.5	100.0%								100
3D403	OB ON CALL	101	8	20	0.12	32.12	1	32.12	100.0%	1	20						
3D404	OB ON CALL	122	8	20	0.12	54.64	1	54.64	100.0%	2	40						
3D405	ON CALL TLT	57	8			0	1										100
3D406	OB ON CALL	120	8	20	0.12	54.4	1	54.4	10.7%	2	40	455	250	22			
3D450	PASSAGE	95	9		0.06	5.7	1	5.7	100.0%								
3D451	OB ONCALL	120	8	20	0.12	54.4	1	54.4	18.5%	2	40	240	240	40			
3D452	ON CALL TLT	57	8			0	1										100
3D453	OB ON CALL	122	8	20	0.12	54.64	1	54.64	100.0%	2	40						
3D454	OB ON CALL	100	8	20	0.12	32	1	32	100.0%	1	20						
3D455	ON CALL TLT SHW	63	8			0	1										100
3D456	OB ON CALL	98	8	20	0.12	31.76	1	31.76	22.4%	1	20	110	110	20			
3E001	CORRIDOR	512	9.3		0.06	30.72	1	30.72	100.0%								
3E002	CORRIDOR	216	8.3		0.06	12.96	1	12.96	3.7%			335	335				
3E003	CORRIDOR	896	9.3		0.06	53.76	1	53.76	3.3%			1600	800				
3E004	CORRIDOR	216	8.3		0.06	12.96	1	12.96	100.0%								
3E007	CORRIDOR	216	9.3		0.06	12.96	1	12.96	6.2%			195	195				
3E008	CORRIDOR	432	9.3		0.06	25.92	1	25.92	1.7%			1485	240				
3E010	CORRIDOR	256	9.3		0.06	15.36	1	15.36	100.0%								
3E101	ELECTICAL ROOM	156	15.3		0.06	9.36	1	9.36	1.5%			600					
3E201	OB ONCALL LOCKERS	170	9	10	0.06	0.5	10.2	1	10.2	100.0%							85
3E202	APN OFFICE	80	8	5	0.06	14.8	1	14.8	100.0%	2	40						
3E203	DIRECTORS OFFICE	126	8	5	0.06	17.56	1	17.56	100.0%	2	40						
3E204	ASST NURSE MGR OFFICE	99	8	5	0.06	15.94	1	15.94	7.4%	2	40	200	60	12			
3E300	UNASSIGNED	195	9	5	0.06	26.7	1	26.7	4.7%	3		545	300				
3E301	ELECTRICAL ROOM	137	15.3		0.06	8.22	1	8.22	0.8%			985					
3E310	CHUTE ROOM	80	9		0.12	9.6	1	9.6	100.0%								120
3D401	TELECOMM	161	15.3		0.06	9.66	1	9.66	1.6%			600					
3E405	CONFERENCE ROOM	222	10.5	5	0.06	68.32	1	68.32	19.6%	11	220	280	75	59			
3E415	FAMILY WAIT	840	10.5	5	0.06	300.4	1	300.4	100.0%	50	750						
3E416	CONSULT	93	9	5	0.06	20.58	1	20.58	4.1%	3	60	485	255	32			

3E417	PUBLIC TOILET	74	8		50	0	1										125
3E418	PUBLIC TOILET	74	8		50	0	1										125
3E420	GREETER	140	8.3	5	0.06	18.4	1	18.4	100.0%	2	1040						
3E501	TELECOMM	240	15.3		0.06	14.4	1	14.4	2.3%			615					
3F001	CORRIDOR	516	9		0.06	30.96	1	30.96	9.1%			310	310				
3F002	PASSAGE	165	9		0.06	9.9	1	9.9	1.4%			720	216				
4F003	PASSAGE	319	9		0.06	19.14	1	19.14	100.0%								
4F004	PASSAGE	944	9		0.06	56.64	1	56.64	100.0%								
4F005	CORRIDOR	160	9		0.06	9.6	1	9.6	1.6%			575	575				
4F006	CORRIDOR	1344	9		0.06	80.64	1	80.64	16.8%			400	400				
4F007	CORRIDOR	60	8		0.06	3.6	1	3.6	100.0%								
4F008	CORRIDOR	29	8		0.06	1.74	1	1.74	100.0%								
3F009	CORRIDOR	848	8		0.06	50.88	1	50.88	14.1%			310	310				
3F020	SCRUB ALCOVE	33	8		0.06	1.98	1	1.98	0.2%			840	840				
3F021	SCRUB ALCOVE	33	8		0.06	1.98	1	1.98	100.0%								
3F024	ALCOVE	85	8		0.06	5.1	1	5.1	100.0%								
3F100	LDR	443	9	20	0.12	173.16	1	173.16	33.1%	6	350	350	265	114			
3F105	LDR	402	9	20	0.12	168.24	1	168.24	33.8%	6	350	330	265	120			
3F110	LDR	415	9	20	0.12	169.8	1	169.8	32.0%	6	350	360	265	110			
3F115	LDR ISOLATION	414	9	20	0.12	169.68	1	169.68	100.0%	6							560
3F117	ANTE ROOM	52	8		0.12	6.24	1	6.24	100.0%								50
3F120	NOURISH	85	8	10	0.18	15.3	1	15.3	100.0%								
3F121	ANESTHESIA OFFICE	192	8	5	0.06	26.52	1	26.52	15.0%	3	80	150	150	60			150
3F122	HSKG	50	8		0.12	6	1	6	100.0%								75
3F125	LDR	375	9	20	0.12	165	1	165	21.0%	6	150	620	265	64			
3F130	LDR	421	9	20	0.12	170.52	1	170.52	18.1%	6	150	770	300	58			
3F135	LDR	364	9	20	0.12	163.68	1	163.68	21.4%	6	150	600	265	66			
3F140	LDR	364	9	20	0.12	163.68	1	163.68	20.6%	6	150	630	265	63			
3F145	LDR	364	9	20	0.12	163.68	1	163.68	20.6%	6	150	630	265	63			
3F150	LDR	364	9	20	0.12	163.68	1	163.68	21.4%	6	150	600	265	63			
3F155	LDR	413	9	20	0.12	169.56	1	169.56	19.1%	6	150	720	265	55			

3F160	LDR	385	9	20	0.12	166.2	1	166.2	20.6%	6	150	640	265	62
3F165	STAFF LOUNGE	212	9	5	0.06	52.72	1	52.72	7.7%	8	160	630	175	44
3F166	HSKG	57	8		0.12	6.84	1	6.84	100.0%					75
3F167	NOURISH	85	8	10	0.18	15.3	1	15.3	100.0%					
3F168	STAFF TOILET	52	8			0	1							75
3F170	LDR	415	9	20	0.12	169.8	1	169.8	23.9%	6	150	540	265	74
3F175	LDR	415	9	20	0.12	169.8	1	169.8	24.3%	6	150	530	265	75
3F180	LDR	400	9	20	0.12	168	1	168	24.8%	6	150	510	265	78
3F185	LDR	410	9	20	0.12	169.2	1	169.2	24.9%	6	150	510	265	78
3F200	TEAM HUB	218	8	7.5	0.06	50.58	1	50.58	100.0%	5	100			
3F201	PREP	142	9.5	15	0.12	62.04	1	62.04	100.0%	3	75			
3F203	PREP	143	9.5	15	0.12	62.16	1	62.16	100.0%	3	75			
3F204	PREP	139	9.5	15	0.12	61.68	1	61.68	23.6%	3	75	200	60	23
3F205	RECOVERY	138	9.5	15	0.12	61.56	1	61.56	13.9%	3	45	380	250	30
3F206	RECOVERY	138	9.5	15	0.12	61.56	1	61.56	100.0%	3	45			
3F207	RECOVERY	145	9.5	15	0.12	62.4	1	62.4	100.0%	3	45			
3F208	RECOVERY	140	9.5	15	0.12	61.8	1	61.8	31.4%	3	45	135	85	28
3F209	CLEAN SUPPLY	58	9		0.12	6.96	1	6.96	100.0%					
3F251	SOILED HOLD	71	8		0.12	8.52	1	8.52	100.0%					125
3F257	ALCOVE	85	8		0.06	5.1	1	5.1	100.0%					
3F262	ALCOVE	85	8		0.06	5.1	1	5.1	100.0%					
3F265	SOILED HOLD	71	8		0.12	8.52	1	8.52	1.6%			540	540	125
3F266	CLEAN SUPPLY	103	9		0.12	12.36	1	12.36	100.0%					
3F267	TEAM HUB	185	8	7.5	0.06	41.1	1	41.1	100.0%	4	80			
3F268	STAFF WORK ROOM	125	8	7.5	0.06	52.5	1	52.5	100.0%	6	120			
3F269	MEDS	89	8	15	0.18	16.02	1	16.02	9.4%			155	80	
3F270	EQUIP STOR	90	9		0.12	10.8	1	10.8	100.0%					
3F275	PASSAGE	67	9		0.06	4.02	1	4.02	100.0%					
3F276	PASSAGE	100	9		0.06	6	1	6	100.0%					
3F277	CASE CART HOLD	602	9		0.12	72.24	1	72.24	13.8%			450	150	
3F280	FLEX WORKROOM	92	8	7.5	0.06	35.52	1	35.52	100.0%	4	80			

3F281	ANESTHESIA WORKROOM	113	9	10	0.06		26.78	1	26.78	20.3%	2	40	105	50	19	
3F282	SOILED UTILITY	216	9		0.12	1	25.92	1	25.92	100.0%						285
3F285	MEDS	89	8	15	0.18		16.02	1	16.02	9.6%			150	45		
3F286	TEAM HUB	185	8	7.5	0.06		41.1	1	41.1	100.0%	4	80				
3F287	STAFF WORK ROOM	125	8	7.5	0.06		60	1	60	100.0%	7	140				
3F300	FEMALE LOCKER ROOM	680	9	10	0.06		40.8	1	40.8	5.3%			730	300		435
3F301	TLT	62	8			50	0	1								75
3F302	FEMALE TLT	65	8			50	0	1								125
3F305	GURNEY STOR	93	8		0.12		11.16	1	11.16	100.0%						
3F306	HSKG	34	8		0.12		4.08	1	4.08	100.0%						50
3F310	MALE LOCKER ROOM	114	9	10	0.06	0.5	6.84	1	6.84	100.0%						175
3F311	MALE TLT	65	8			50	0	1								100
3F315	SPECIAL INFANT ROOM	105	8	20	0.18		78.9	1	78.9	26.0%	3	75	225	100	33	
3F316	FAMILY BEREAVEMENT	99	8	10	0.06		45.94	1	45.94	100.0%	4	80				
3F317	EQUIPMENT STORAGE	157	9		0.12		18.84	1	18.84	100.0%						
3F388	CLEAN UTILITY	96	9		0.12		11.52	1	11.52	100.0%						
4A001	ELEV LOBBY	265	11.5	5	0.06		15.9	1	15.9	10.2%			140	140		
4A010	CORRIDOR	990	8.5		0.06		59.4	1	59.4	7.1%			780	400		
4A011	CORRIDOR	528	8.5		0.06		31.68	1	31.68	3.7%			820	400		
4A012	CORRIDOR	135	8		0.06		8.1	1	8.1	3.7%			210	120		
4A013	CORRIDOR	110	9		0.06		6.6	1	6.6	100.0%						
4A014	CORRIDOR	1050	8.5		0.06		63	1	63	100.0%						
4A015	CORRIDOR	515	8.5		0.06		30.9	1	30.9	100.0%						
4A030	SOILED TRAY	22	8		0.12	1	2.64	1	2.64	100.0%						75
4A031	CRASH CART	20	8		0.06		1.2	1	1.2	100.0%						
4A032	STOR ALCOVE	15	8		0.06		0.9	1	0.9	100.0%						
4A200	UNIT SECRETARY	78	8	5	0.06		9.68	1	9.68	100.0%	1	20				
4A201	FAMILY WAITING	785	10	5	0.06		282.1	1	282.1	20.3%	47	705	1110	600	381	
4A202	KITCHEN	40	8	7.5	0.06	0.3	9.9	1	9.9	100.0%	1	15				
4A203	PUBLIC TOILET	50	8			50	0	1								75
4A205	CONSULT	75	10	5	0.06		19.5	1	19.5	100.0%	3	60				

4A210	CLEAN SUPPLY	120	9	0.12		14.4	1	14.4	100.0%					
4A211	SOILED HOLD	100	8	0.12	1	12	1	12	4.0%			290	270	130
4A212	EQUIP STOR	160	9	0.12		19.2	1	19.2	100.0%					
4A213	FLEX WORKROOM	121	8	7.5	0.06	37.26	1	37.26	100.0%	4	80			
4A214	TEAM HUB	240	8	7.5		1800	1	1800	100.0%	4	80			
4A215	MEDS	127	8	15	0.18	67.86	1	67.86	31.1%	3	45	150	150	45
4A216	CLEAN SUPPLY	130	9	0.12		15.6	1	15.6	100.0%					
4A250	NOURISHMENT	90	8	10	0.18	16.2	1	16.2	5.7%			270	150	
4A251	ASST NURSE MGR	100	8	5	0.06	16	1	16	6.5%	2	40	230	150	26
4A252	CLEAN SUPPLY	135	9	0.12		16.2	1	16.2	100.0%					
4A254	FLEX WORKROOM	140	8	7.5	0.06	38.4	1	38.4	100.0%	4	80			
4A255	TEAM HUB	202	8	7.5	0.06	42.12	1	42.12	100.0%	4	80			
4A256	MEDS	120	8	15	0.18	21.6	1	21.6	6.0%			340		
4A257	SOILED HOLD	100	8	0.12	1	12	1	12	100.0%					145
4A258	CLEAN SUPPLY	120	9	0.12		14.4	1	14.4	100.0%					
4A259	EQUIP STOR	140	9	0.12		16.8	1	16.8	100.0%					
4A330	STAFF LOUNGE	215	9	5	0.06	52.9	1	52.9	9.6%	8	160	500	260	83
4A331	STAFF TOILET	50	8				50	0						
4A352	ANTE ROOM	40	9	0.12		4.8	1	4.8	100.0%					
A4020	NURSE ALCOVE	22	7.5	0.06		1.32	1	1.32	100.0%	1				
A4021	NURSE ALCOVE	22	7.5	0.06		1.32	1	1.32	100.0%	1				
A4022	NURSE ALCOVE	22	7.5	0.06		1.32	1	1.32	100.0%	1				
A4023	NURSE ALCOVE	22	7.5	0.06		1.32	1	1.32	100.0%	1				
A4024	NURSE ALCOVE	22	7.5	0.06		1.32	1	1.32	100.0%	1				
A4025	NURSE ALCOVE	22	7.5	0.06		1.32	1	1.32	100.0%	1				
4A040	NURSE ALCOVE	22	7.5	0.06		1.32	1	1.32	100.0%	1				
4A041	NURSE ALCOVE	22	7.5	0.06		1.32	1	1.32	100.0%	1				
4A042	NURSE ALCOVE	22	7.5	0.06		1.32	1	1.32	100.0%	1				
4A043	NURSE ALCOVE	22	7.5	0.06		1.32	1	1.32	100.0%	1				
4A044	NURSE ALCOVE	22	7.5	0.06		1.32	1	1.32	100.0%	1				
4A045	NURSE ALCOVE	22	7.5	0.06		1.32	1	1.32	100.0%	1				

4B001	CORRIDOR	462	8	0.06	27.72	1	27.72	6.1%			430	160	75	
4B002	CORRIDOR	153	8.5	0.06	9.18	1	9.18	100.0%						
4B003	CORRIDOR	98	8.5	0.06	5.88	1	5.88	100.0%						
4B005	CORRIDOR	670	8.5	0.06	40.2	1	40.2	3.9%			1000	500		
4B006	ELEV LOBBY	324	8	5	0.06	19.44	1	19.44	100.0%					
4B007	CORRIDOR	235	8.5	0.06	14.1	1	14.1	0.9%			1485	550		
4B008	CORRIDOR	324	8	0.06	19.44	1	19.44	100.0%						
4B009	CORRIDOR	235	8.5	0.06	14.1	1	14.1	100.0%						
4B010	CORRIDOR	360	8.5	0.06	21.6	1	21.6	2.5%			850	300		
4B100	STAFF TOILET	50	8		50	0	1						75	
4B101	STAIR ALCOVE	2601	9.3	0.06	156.06	1	156.06	100.0%						
4B102	PP RN OFFICE	90	9	5	0.06	15.4	1	15.4	3.9%	2	40	380	300	32
4B103	MS DIRECTOR	144	9	5	0.06	18.64	1	18.64	100.0%	2	40			
4B104	PP CALLY KITCHEN	185	9	7.5	0.18	0.3	63.3	13.7%	4	60	400	300	45	
4B105	MED/SURG LOCKERS	105	9	10	0.06	0.5	6.3	100.0%					150	
4B106	PP LOCKERS	105	9	10	0.06	0.5	6.3	100.0%					150	
4B108	PP DIRECTOR	136	9	5	0.06	18.16	1	18.16	6.8%	2	40	250	185	30
4B109	PP NURSE NURSE MGR	115	9	5	0.06	16.9	1	16.9	100.0%	2	40			
4B120	MOBILE IMAGE	35	8	5	0.06	2.1	1	2.1	100.0%					
4B130	HSKG	55	8		0.12	6.6	1	6.6	100.0%					50
4B131	TANK RM	20	8.5		0.12	2.4	1	2.4	100.0%					
4B140	CHUTE ROOM	50	8		0.12	6	1	6	100.0%					120
4B141	ELECTRICAL ROOM	154	15.3		0.06	9.24	1	9.24	0.8%			1100	1100	
4B142	TELECOMM	190	15.3		0.06	11.4	1	11.4	1.9%			600	600	
4B143	EVS CLOSET	81	8		0.06	4.86	1	4.86	100.0%					50
4B150	CASE MGMT	234	8	5	0.06	34.04	1	34.04	5.9%	4	80	540	200	30
4B151	BIRTH REGISTRY	89	8	5	0.06	20.34	1	20.34	100.0%	3	60			
4B152	NURSERY HSKG	39	8		0.12	4.68	1	4.68	100.0%					50
4C001	ELEV LOBBY	210	11.5	5	0.06	12.6	1	12.6	10.3%			110	110	
4C010	CORRIDOR	846	8.5		0.06	50.76	1	50.76	7.1%			660	400	
4C011	CORRIDOR	766	8.5		0.06	45.96	1	45.96	5.6%			780	500	

4C012	CORRIDOR	150	8	0.06	9	1	9	3.2%			270	120		
4C013	CORRIDOR	955	8.5	0.06	57.3	1	57.3	100.0%						
4C014	CORRIDOR	832	8.5	0.06	49.92	1	49.92	100.0%						
4C015	CORRIDOR	112	8	0.06	6.72	1	6.72	100.0%						
4C200	UNIT SECRETARY	100	8	5	0.06	11	1	11	100.0%	1	20			
4C201	FAMILY WAITING	753	10	5	0.06	270.18	1	270.18	15.3%	45	675	1500	660	297
4C202	KITCHEN	34	8	7.5	0.18	0.3	13.62	1	13.62	100.0%	1	15		
4C203	PUBLIC TOILET	50	8			50	0	1						75
4C205	SOILED HOLD	100	8		0.12	1	12	1	12	100.0%				240
4C206	CONSULT	77	10	5	0.06	19.62	1	19.62	100.0%	3	60			
4C207	APN/LACT OFFICE	93	8	5	0.06	15.58	1	15.58	3.4%	2	40	440	160	15
4C208	CLEAN SUPPLY	112	9		0.12	13.44	1	13.44	100.0%					
4C209	EQUIP RM	107	9		0.12	12.84	1	12.84	3.2%			390	200	
4C210	TEAM HUB	142	8	7.5	0.06	31.02	1	31.02	100.0%	3	60			
4C211	MEDS	68	8	15	0.018	1.224	1	1.224	100.0%					
4C212	CLINICAL WRK RM	68	8	7.5	0.06	34.08	1	34.08	100.0%	4	80			
4C215	16 BASSINET NURSERY	985	10.5	10	0.18	377.3	1	377.3	24.9%	20	300	1140	500	102
4C216	FORMULA PREP	80	8	15	0.12	39.6	1	39.6	100.0%	2	30			
4C217	PHOTO ROOM	61	8	5	0.06	18.66	1	18.66	100.0%	3	60			
4C220	STAFF WORK ROOM	150	8	7.5	0.06	39	1	39	100.0%	4	80			
4C250	12 BASSINET NURSERY	760	10.5	10	0.18	286.8	1	286.8	20.7%	15	225	1100	500	102
4C251	CAR SEAT - HEARG TEST	72	9	10	0.06	24.32	1	24.32	100.0%	2	30			
4C252	PROCEDURE ROOM	105	9	10	0.06	36.3	1	36.3	100.0%	3	45			
4C260	TEAM HUB	145	8	7.5	0.06	38.7	1	38.7	100.0%	4	80			
4C261	CLINICAL WRK RM	67	8	7.5	0.06	19.02	1	19.02	100.0%	2	40			
4C262	MEDS	68	8	15	0.18	12.24	1	12.24	100.0%					
4C270	CLEAN UTILITY	125	9		0.12	15	1	15	7.0%			200	200	
4C271	SOILED UTILITY	88	8		0.12	1	10.56	1	10.56	100.0%				230
4C272	NOURISHMENT	72	8	10	0.18	12.96	1	12.96	4.1%			300	150	
4C273	EQUIP STOR	78	9		0.12	9.36	1	9.36	100.0%					
4C330	STAFF LOUNGE	205	9	5	0.06	52.3	1	52.3	10.6%	8	160	440	360	131

4C331	STAFF TOILET	50	8		50	0	1							
4C362	ANTE ROOM	40	8	0.12		4.8	1	4.8	100.0%					
4D001	CORRIDOR	444	9	0.06		26.64	1	26.64	2.3%		1150	725		
4D002	CORRIDOR	360	9	0.06		21.6	1	21.6	100.0%					
4D003	CORRIDOR	492	9	0.06		29.52	1	29.52	3.1%		920	800		
4D004	CORRIDOR	380	9	0.06		22.8	1	22.8	2.1%		1075	800		
4D020	ALCOVE	22	7.5	0.06		1.32	1	1.32	100.0%					
4D100	PASSAGE	190	9	0.06		11.4	1	11.4	2.3%		485	300		
4D101	PASSAGE	240	9	0.06		14.4	1	14.4	5.0%		275	225		
4D102	PASSAGE	65	9	0.06		3.9	1	3.9	1.5%		265	265		
4D110	WORKROOM	1150	9	5	0.06	69	1	69	100.0%					
4D111	ORDER ENTRY	444	9	5	0.06	26.64	1	26.64	5.1%		500	500		
4D112	INV DRUGS & FUT PACK	159	9	10	0.06	9.54	1	9.54	9.6%		90	60		
4D120	STAFF LNG & WORKRM	251	9	7.5	0.06	15.06	1	15.06	2.9%		510	400		
4D121	LOCKER RM	78	8	1	0.06	0.5	4.68	1	4.68	100.0%				
4D122	TLT, STAFF	46	8			50	0	1						75
4D123	TLT, STAFF	47	8			50	0	1						75
4D124	STUDENT WORK RM	81	8	7.5	0.06	19.86	1	19.86	100.0%	2	40			
4D125	CLINICAL PHARM OFFICE	100	8	5	0.06	16	1	16	3.6%	2	40	430	300	28
4D126	ASSIST DIR OFFICE	85	8	5	0.06	15.1	1	15.1	100.0%	2	40			
4D127	CONFERENCE ROOM	130	9	5	0.06	42.8	1	42.8	9.1%	7	140	425	225	74
4D128	DIRECTORS OFFICE	120	8	5	0.06	17.2	1	17.2	3.7%	2	40	450	300	27
4D129	CLERICAL ASST	80	8	5	0.06	9.8	1	9.8	100.0%	1	20			
4D140	DRUG & IV PREP RM	156	9	15	0.12	33.72	1	33.72	100.0%	1				
4D141	ENTRY	38	8	5	0.06	2.28	1	2.28	100.0%					
4D142	CHEM HOOD RM	66	8	10	0.12	17.92	1	17.92	2.5%	1	700	935		
4D143	IV & CHEMO PRED	211	9	15	0.18	52.98	1	52.98	4.1%	1	1250	300		
4D144	ANTE ROOM	55	8		0.12	6.6	1	6.6	100.0%					
4D145	CONTROL SUNS RM	133	9	5	0.06	17.98	1	17.98	100.0%	2				
4D150	DRUG & IV STORAGE	267	9		0.12	32.04	1	32.04	5.5%		550	250		
4D151	WORK AREA	377	9	5	0.06	47.62	1	47.62	100.0%	5				

4D152	DRUG STORAGE	332	9	0.12		39.84	1	39.84	100.0%						
4D201	RT STAFF WRK/KTCH/CNF	474	9	5	0.06	123.44	1	123.44	7.8%	19	380	1450	620	162	
4D202	STAFF TOILET	53	8			50	0	1						75	
4D203	RT TLT	45	8			50	0	1						75	
4D204	RT LKR RM	84	9	10	0.06	0.5	5.04	1	5.04	100.0%				100	
4D205	RT CLIN OFFICE	113	8	5	0.06		16.78	1	16.78	100.0%	2	40			
4D211	RT DIRECTOR OFFICE	126	8	5	0.06		17.56	1	17.56	100.0%	2	40			
4D250	MED RES LOUNGE	168	9	5	0.06		45.08	1	45.08	6.1%	7	140	700	265	53
4D255	MED RES ON CALL	88	8	20	0.12		30.56	1	30.56	8.8%	1	20	315	250	16
4D256	MED RES ON CALL	91	8	20	0.12		30.92	1	30.92	100.0%	1	20			
4D257	MED RES TOILET	74	8			50	0	1						100	
4D260	NEONATOLOGY WORKROOM	258	8	7.5	0.06		37.98	1	37.98	7.5%	3	60	470	300	38
4D301	WASH ROOM	312	9			50	0	1						550	
4D302	RT CLEAN WORK	166	9.5	7.5	0.06		9.96	1	9.96	1.7%		560	300		
4D303	RT SUPPLY STORAGE	244	9		0.12		29.28	1	29.28	100.0%					
4D304	EQUIP DEPOT MGMT OFFICE	111	8	5	0.06		11.66	1	11.66	100.0%	1	20			
4D305	EQUIPMENT DEPOT	1866	9.5		0.12		223.92	1	223.92	21.9%	1		800	800	
4D306	WALK UP	85	9.5		0.06		5.1	1	5.1	100.0%	2				
4D307	EQUIP MNGR WORK RM	129	9	5	0.06		17.74	1	17.74	100.0%	2	40			
4D320	BIOMED TECH WRK	533	9.5	5	0.06		66.98	1	66.98	17.5%	7	140	315	145	64
4D321	BIOMED EQUIP MGMT	172	8	5	0.06		30.32	1	30.32	100.0%	4	80			
4E007	CORRIDOR	480	8.5		0.06		28.8	1	28.8	2.0%		1410	375		
4E008	CORRIDOR	480	8.5		0.06		28.8	1	28.8	100.0%					
4E010	CORRIDOR	608	8.5		0.06		36.48	1	36.48	100.0%					
4E301	ELECTRICAL ROOM	96	14		0.06		5.76	1	5.76	0.8%		685			
4E302	NICU GUEST	151	8	5	0.06		19.06	1	19.06	100.0%	2				
4E303	TOILET, GUEST	65	8			50	0	1							
4E401	TELECOMM ROOM	163	14		0.06		9.78	1	9.78	1.6%		600			
4E405	CONFERENCE ROOM	236	10	5	0.06		59.16	1	59.16	16.5%	9	180	300	100	60
4E416	FAMILY KITCHEN	145	10	10	0.18	0.3	66.1	1	66.1	20.6%	4	60	255	200	47
4E417	FAMILY WAITING	490	10	5	0.06		189.4	1	189.4	100.0%	32	480			

4E425	NICU GUEST RM	148	8	5	0.06		23.88	1	23.88	7.2%	3	60	310	200	39
4E426	NICU GUEST TLT	64	8			50	0	1							100
4E501	TELECOM ROOM	245	14		0.06		14.7	1	14.7	2.4%			600		
5A001	ELEV LOBBY	265	11.5	5	0.06		15.9	1	15.9	9.0%			160	120	
5A010	CORRIDOR	990	8.5		0.06		59.4	1	59.4	6.8%			810	470	
5A011	CORRIDOR	528	8.5		0.06		31.68	1	31.68	6.4%			460	380	
5A012	CORRIDOR	135	8		0.06		8.1	1	8.1	1.7%			480	360	
5A012							0	1							
5A013	CORRIDOR	113	8		0.06		6.78	1	6.78	100.0%					
5A014	CORRIDOR	1050	8.5		0.06		63	1	63	100.0%					
5A015	CORRIDOR	514	8.5		0.06		30.84	1	30.84	100.0%					
5A200	UNIT SECRETARY	78	8	5	0.06		9.68	1	9.68	100.0%	1	20			
5A201	FAMILY WAITING	785	10	5	0.06		282.1	1	282.1	17.6%	47	705	1320	600	320
5A202	KITCHEN	40	8	10	0.18	0.3	17.2	1	17.2	100.0%	1	15			
5A203	PUBLIC TOILET	50	8			50	0	1							75
5A205	CONSULT	76	10	5	0.06		19.56	1	19.56	100.0%	3	60			
5A210	CLEAN SUPPLY	120	9		0.12		14.4	1	14.4	100.0%					
5A211	SOILED HOLD	100	8		0.12	1	12	1	12	100.0%					180
5A212	EQUIPMENT STORAGE	160	9		0.12		19.2	1	19.2	100.0%					
5A213	FLEX WORKROOM	120	8	5	0.06		27.2	1	27.2	100.0%	4	80			
5A214	TEAM HUB	240	8	5	0.06		34.4	1	34.4	100.0%	4	80			
5A215	MEDS ROOM	127	8	15	0.18		22.86	1	22.86	13.2%			150	100	
5A216	CLEAN SUPPLY	131	9		0.12		15.72	1	15.72	100.0%					
5A230	STOR ALCOVE	23	8		0.06		1.38	1	1.38	100.0%					
5A231	CRAST CART	23	8		0.12		2.76	1	2.76	100.0%					
5A250	NOURISHMENT	90	8	10	0.18		16.2	1	16.2	5.6%			275	150	
5A251	ASST NURSE MGR OFFICE	100	8	5	0.06		41	1	41	100.0%	7	140			
5A252	CLEAN SUPPLY	135	9		0.12		16.2	1	16.2	100.0%					
5A254	FLEX WORKROOM	142	8	5	0.06		28.52	1	28.52	10.6%	4	80	240	200	67
5A255	TEAM HUB	202	8	7.5	0.06		42.12	1	42.12	100.0%	4	80			
5A256	MEDS ROOM	105	8	15	0.18		18.9	1	18.9	100.0%					

5A257	SOILED HOLD	100	8	0.12	1	12	1	12	4.9%		235	200	110	
5A258	CLEAN SUPPLY	119	9	0.12		14.28	1	14.28	100.0%					
5A259	EQUIPMENT STORAGE	139	9	0.12		16.68	1	16.68	100.0%					
5A330	STAFF LOUNGE	215	9	5	0.06	52.9	1	52.9	9.9%	8	160	480	300	100
5A352	ANTE ROOM	40	8	0.12		4.8	1	4.8	100.0%					
5A020	NURSE ALCOVE	22	9	0.06		1.32	1	1.32	100.0%	1				
5A021	NURSE ALCOVE	22	9	0.06		1.32	1	1.32	100.0%	1				
5A022	NURSE ALCOVE	22	9	0.06		1.32	1	1.32	100.0%	1				
5A023	NURSE ALCOVE	22	9	0.06		1.32	1	1.32	100.0%	1				
5A024	NURSE ALCOVE	22	9	0.06		1.32	1	1.32	100.0%	1				
5A025	NURSE ALCOVE	22	9	0.06		1.32	1	1.32	100.0%	1				
5A040	NURSE ALCOVE	22	9	0.06		1.32	1	1.32	100.0%	1				
5A041	NURSE ALCOVE	22	9	0.06		1.32	1	1.32	100.0%	1				
5A042	NURSE ALCOVE	22	9	0.06		1.32	1	1.32	100.0%	1				
5A043	NURSE ALCOVE	22	9	0.06		1.32	1	1.32	100.0%	1				
5A044	NURSE ALCOVE	22	9	0.06		1.32	1	1.32	100.0%	1				
5A045	NURSE ALCOVE	22	9	0.06		1.32	1	1.32	100.0%	1				
5B001	CORRIDOR	467	8	0.06		28.02	1	28.02	2.8%		960	450	75	
5B002	CORRIDOR	110	8.5	0.06		6.6	1	6.6	100.0%					
5B003	CORRIDOR	75	8.5	0.06		4.5	1	4.5	100.0%					
5B005	CORRIDOR	586	8.5	0.06		35.16	1	35.16	100.0%					
5B006	ELEV LOBBY	325	8	5	0.06	19.5	1	19.5	100.0%					
5B007	CORRIDOR	285	8.5	0.06		17.1	1	17.1	1.8%		920	490		
5B008	CORRIDOR	195	8	0.06		11.7	1	11.7	100.0%					
5B009	CORRIDOR	269	8.5	0.06		16.14	1	16.14	1.2%		1325	690		
5B010	CORRIDOR	549	8.5	0.06		32.94	1	32.94	100.0%					
5B100	STAFF TLT	50	8				50	0		1				
5B102	M/S DIRECTOR OFFICE	138	9	5	0.06	18.28	1	18.28	4.1%	2	40	425	270	25
5B103	M/S DIRECTOR OFFICE	125	9	5	0.06	17.5	1	17.5	100.0%	2	40			
5B105	STAFF LOCKERS	169	9	10	0.06	0.5	10.14	1	10.14	100.0%				120
5B108	GYM TLT	50	8				50	0		1				75

5B109	SATELLITE GYM	270	9.5		0.3	81	1	81	13.0%	5		540	290	
5B120	MOBILE IMAGE	45	8	5	0.06	2.7	1	2.7	100.0%					
5B130	HSKG	56	8		0.12	6.72	1	6.72	100.0%					50
5B131	STOR ROOM	16	9		0.12	1.92	1	1.92	100.0%					
5B140	CHUTE ROOM	50	8		0.12	6	1	6	100.0%					120
5B141	ELECTRICAL	155	14		0.06	9.3	1	9.3	0.9%			1000	1000	
5B142	TELECOMM	198	14		0.06	11.88	1	11.88	1.9%			600	600	
5B143	EVS CLOSET	82	8		0.06	4.92	1	4.92	100.0%					50
5B150	TELEMENTERY	224	8	20	0.12	106.88	1	106.88	14.9%	4	80	610	300	39
5B151	TELEMENTERY STRG	132	9		0.12	15.84	1	15.84	100.0%					
5B152	CONFERENCE RM	227	9	5	0.06	68.62	1	68.62	21.5%	11	220	250	160	141
5C001	ELEV LOBBY	260	11.5	5	0.06	15.6	1	15.6	12.4%			110	110	
5C010	CORRIDOR	781	8.5		0.06	46.86	1	46.86	5.1%			870	400	
5C011	CORRIDOR	834	8.5		0.06	50.04	1	50.04	4.5%			1060	600	
5C012	CORRIDOR	102	8		0.06	6.12	1	6.12	100.0%					
5C013	CORRIDOR	117	8		0.06	7.02	1	7.02	100.0%					
5C014	CORRIDOR	866	8.5		0.06	51.96	1	51.96	100.0%					
5C015	CORRIDOR	910	8.5		0.06	54.6	1	54.6	100.0%					
5C030	CRASH CART	18	8.5		0.012	0.216	1	0.216	100.0%					
5C031	SOILED TRAY	19	8.5		0.12	2.28	1	2.28	100.0%					75
5C147	ANTE ROOM	30	8		0.12	3.6	1	3.6	100.0%					
5C200	UNIT SECRETARY	94	8	5	0.06	10.64	1	10.64	100.0%	1	20			
5C201	FAMILY WAITING	823	10	5	0.06	294.38	1	294.38	17.0%	49	735	1440	590	301
5C202	KITCHEN	34	8	7.5	0.18	0.3	6.12	1	6.12	100.0%				
5C203	PUBLIC TOILET	50	8			50	0	1						75
5C205	EQUIPMENT STORAGE	50	8		0.12	6	1	6	100.0%					
5C206	EQUIPMENT STORAGE	77	9		0.12	9.24	1	9.24	3.4%			260	160	
5C207	CONSULT	93	10	5	0.06	25.58	1	25.58	100.0%	4	80			
5C208	APN OFFICE	83	8	5	0.06	14.98	1	14.98	100.0%	2	40			
5C210	CLEAN SUPPLY	133	9		0.12	15.96	1	15.96	3.6%			430	300	
5C211	EQUIPMENT STORAGE	168	9		0.12	20.16	1	20.16	100.0%					

5C212	SOILED HOLD	120	8	0.12	1	14.4	1	14.4	100.0%										240
5C213	FLEX WORKROOM	121	8	7.5	0.06	37.26	1	37.26	100.0%	4	80								
5C214	MEDS ROOM	125	8	15	0.18	22.5	1	22.5	100.0%										
5C215	TEAM HUB	220	8	7.5	0.06	43.2	1	43.2	100.0%	4	80								
5C216	CLEAN SUPPLY	126	9		0.12	15.12	1	15.12	10.4%				130	130					
5C217	ASST NURSE MNGR OFFICE	96	8	5	0.06	15.76	1	15.76	100.0%	2	40								
5C250	NOURISHMENT	94	8	10	0.18	16.92	1	16.92	3.9%				420	240					
5C251	CLEAN SUPPLY	115	9		0.12	13.8	1	13.8	100.0%										
5C252	FLEX WORKROOM	100	8	7.5	0.06	36	1	36	100.0%	4	80								
5C253	TEAM HUB	127	8	7.5	0.06	37.62	1	37.62	100.0%	4	80								
5C254	MEDS ROOM	198	8	15	0.18	35.64	1	35.64	9.7%				330	270					
5C255	SOILED HOLD	100	8		0.12	12	1	12	100.0%										220
5C256	CLEAN SUPPLY	115	9		0.12	13.8	1	13.8	100.0%										
5C257	EQUIPMENT STORAGE	153	9		0.12	18.36	1	18.36	100.0%										
5C330	STAFF LOUNGE	214	9			0	1	0	0.0%	8	160		480	240		80			
5C331	STAFF TOILET	50	8			50	0	1											75
5C020	NURSE ALCOVE	22	7.5		0.06	1.32	1	1.32	100.0%	1									
5C021	NURSE ALCOVE	22	7.5		0.06	1.32	1	1.32	100.0%	1									
5C022	NURSE ALCOVE	22	7.5		0.06	1.32	1	1.32	100.0%	1									
5C023	NURSE ALCOVE	22	7.5		0.06	1.32	1	1.32	100.0%	1									
5C024	NURSE ALCOVE	22	7.5		0.06	1.32	1	1.32	100.0%	1									
5C025	NURSE ALCOVE	22	7.5		0.06	1.32	1	1.32	100.0%	1									
5C040	NURSE ALCOVE	22	7.5		0.06	1.32	1	1.32	100.0%	1									
5C041	NURSE ALCOVE	22	7.5		0.06	1.32	1	1.32	100.0%	1									
5C042	NURSE ALCOVE	22	7.5		0.06	1.32	1	1.32	100.0%	1									
5C043	NURSE ALCOVE	22	7.5		0.06	1.32	1	1.32	100.0%	1									
5C044	NURSE ALCOVE	22	7.5		0.06	1.32	1	1.32	100.0%	1									
5C045	NURSE ALCOVE	22	7.5		0.06	1.32	1	1.32	100.0%	1									
5E101	MECHANICAL ROOM	8370	14			0	1	0	0.0%				6000						6000
5E210	HSKG	60	8		0.12	7.2	1	7.2	100.0%										75
5E215	ANTENNA ROOM	12	9		0.12	1.44	1	1.44	0.2%				700	210					

5E301	BREAKROOM	84	9	5	0.06		20.04	1	20.04	16.0%	3	60	105	60	34	
5E302	STAFF TOILET	40	8			50	0	1								75
5E303	STAFF SHOWER	40	8		0.5	0.5	20	1	20	100.0%						75
5E304	WORK ROOM	180	9	7.5	0.06		25.8	1	25.8	100.0%	2	40				
5H101	BOILER RM	5760	14		0.12		691.2	1	691.2	100.0%						
5H102	CONTROL RM	5760	14	5	0.06		355.6	1	355.6	100.0%	2					
6A001	ELEV LOBBY	266	11.5	5	0.06		15.96	1	15.96	10.9%			130	130		
6A010	CORRIDOR	880	8.5		0.06		52.8	1	52.8	5.2%			970	500		
6A010							0	1								
6A011	CORRIDOR	526	8.5		0.06		31.56	1	31.56	2.9%			1050	600		
6A012	CORRIDOR	135	8		0.06		8.1	1	8.1	100.0%						
6A013	CORRIDOR	111	8		0.06		6.66	1	6.66	100.0%						
6A014	CORRIDOR	1037	8.5		0.06		62.22	1	62.22	100.0%						
6A015	CORRIDOR	527	8.5		0.06		31.62	1	31.62	100.0%						
6A030	STOR ALCOVE	23	8		0.06		1.38	1	1.38	100.0%						
6A032	STOR ALCOVE	23	8		0.06		1.38	1	1.38	100.0%						
6A200	UNIT SECRETARY	78	8	5	0.06		9.68	1	9.68	100.0%	1	20				
6A201	FAMILY WAITING	787	10	5	0.06		282.22	1	282.22	19.8%	47	705	1140	580	359	
6A202	KITCHEN	41	8	7.5	0.18	0.3	7.38	1	7.38	100.0%						
6A203	PUBLIC TOILET	50	8			50	0	1								75
6A205	CONSULT	75	10	5	0.06		24.5	1	24.5	100.0%	4	80				
6A210	CLEAN SUPPLY	120	9		0.12		14.4	1	14.4	4.1%			340	300		
6A211	SOILED HOLD	100	8		0.12	1	12	1	12	100.0%						260
6A212	EQUIP STOR	160	9		0.12		19.2	1	19.2	100.0%						
6A213	FLEX WORKROOM	121	8	7.5	0.06		37.26	1	37.26	100.0%	4	80				
6A214	TEAM HUB	240	8	7.5	0.06		44.4	1	44.4	100.0%	4	80				
6A215	MEDS ROOM	127	8	15	0.18		22.86	1	22.86	13.2%			150	150		
6A216	CLEAN SUPPLY	131	9		0.12		15.72	1	15.72	100.0%						
6A250	NOURISHMENT	92	8	10	0.18		16.56	1	16.56	4.0%			400	270		
6A251	ASST NURSE MNGR OFFICE	100	8	5	0.06		16	1	16	100.0%	2	40				
6A252	CLEAN SUPPLY	135	9		0.12		16.2	1	16.2	100.0%						

6A254	FLEX ROOM	143	8	5	0.06	28.58	1	28.58	100.0%	4	80				
6A255	TEAM HUB	200	8	7.5	0.06	42	1	42	100.0%	4	80				
6A256	MEDS ROOM	120	8	15	0.18	21.6	1	21.6	6.3%			320	300		
6A257	SOILED HOLD	100	8		0.12	12	1	12	100.0%						120
6A258	CLEAN SUPPLY	120	9		0.12	14.4	1	14.4	100.0%						
6A259	EQUIPMENT STORAGE	140	9		0.12	16.8	1	16.8	100.0%						
6A330	STAFF LOUNGE	205	9	5	0.06	52.3	1	52.3	9.8%	8	160	480	280	93	
6A352	ANTE ROOM	35	8		0.12	4.2	1	4.2	100.0%						
6A020	NURSE ALCOVE	22	7.5		0.06	1.32	1	1.32	100.0%	1					
6A021	NURSE ALCOVE	22	7.5		0.06	1.32	1	1.32	100.0%	1					
6A022	NURSE ALCOVE	22	7.5		0.06	1.32	1	1.32	100.0%	1					
6A023	NURSE ALCOVE	22	7.5		0.06	1.32	1	1.32	100.0%	1					
6A024	NURSE ALCOVE	22	7.5		0.06	1.32	1	1.32	100.0%	1					
6A025	NURSE ALCOVE	22	7.5		0.06	1.32	1	1.32	100.0%	1					
6A040	NURSE ALCOVE	22	7.5		0.06	1.32	1	1.32	100.0%	1					
6A041	NURSE ALCOVE	22	7.5		0.06	1.32	1	1.32	100.0%	1					
6A042	NURSE ALCOVE	22	7.5		0.06	1.32	1	1.32	100.0%	1					
6A043	NURSE ALCOVE	22	7.5		0.06	1.32	1	1.32	100.0%	1					
6A044	NURSE ALCOVE	22	7.5		0.06	1.32	1	1.32	100.0%	1					
6A045	NURSE ALCOVE	22	7.5		0.06	1.32	1	1.32	100.0%	1					
6B001	CORRIDOR	520	8		0.06	31.2	1	31.2	7.6%			380	380		75
6B002	CORRIDOR	111	8.5		0.06	6.66	1	6.66	100.0%						50
6B003	CORRIDOR	68	8.5		0.06	4.08	1	4.08	100.0%						
6B005	CORRIDOR	458	8.5		0.06	27.48	1	27.48	4.0%			660	300		
6B006	ELEV LOBBY	322	8	5	0.06	19.32	1	19.32	100.0%						
6B007	CORRIDOR	400	8.5		0.06	24	1	24	2.4%			965	380		
6B008	CORRIDOR	191	8		0.06	11.46	1	11.46	0.8%			1410	770		
6B009	CORRIDOR	373	8.5		0.06	22.38	1	22.38	100.0%						
6B010	CORRIDOR	421	8.5		0.06	25.26	1	25.26	100.0%						
6B100	STAFF TOILET	50	8			0	1								75
6B102	M/S DIRECTOR OFFICE	138	9	5	0.06	18.28	1	18.28	1.7%	2	40	1085	590	22	

6B105	STAFF LOCKERS	169	9	10	0.06	0.5	10.14	1	10.14	100.0%									150
6B106	STAIR ALCOVE	45	8		0.06		2.7	1	2.7	100.0%									
6B107	TLC STOR	16	9		0.12		1.92	1	1.92	100.0%									
6B109	TECH LEARNING CNTR	405	9	10	0.12		248.6	1	248.6	100.0%	20	300							
6B120	MOBILE IMAGE	37	8	5	0.06		2.22	1	2.22	100.0%									
6B130	HSKG	56	8		0.12		6.72	1	6.72	100.0%									
6B131	TANK ROOM	17	9		0.12		2.04	1	2.04	100.0%									
6B140	CHUTE ROOM	140	8		0.12		16.8	1	16.8	100.0%									100
6B141	ELECTRICAL	154	14		0.06		9.24	1	9.24	0.8%			1100	1100					
6B142	TELECOMM	188	14		0.06		11.28	1	11.28	1.8%			600	600					
6B143	EVS CLOSET	81	8		0.06		4.86	1	4.86	100.0%									50
6B150	CASE MGMT	180	8	5	0.06		25.8	1	25.8	5.7%	3	60	430	180	25				
6B151	DIRECTORS OFFICE	105	8	5	0.06		16.3	1	16.3	100.0%	2	40							
6B152	WHIRLPOOL ROOM	229	8.5	10	0.12		47.48	1	47.48	15.7%	2		255	255					
6C010	CORRIDOR	781	8.5		0.06		46.86	1	46.86	29.0%			115	115					
6C011	CORRIDOR	782	8.5		0.06		46.92	1	46.92	6.0%			735	450					
6C012	CORRIDOR	108	8		0.06		6.48	1	6.48	0.6%			1145	600					
6C013	CORRIDOR	117	8		0.06		7.02	1	7.02	100.0%									
6C014	CORRIDOR	156	9		0.06		9.36	1	9.36	100.0%									
6C015	CORRIDOR	708	8.5		0.06		42.48	1	42.48	100.0%									
6C016	CORRIDOR	910	8.5		0.06		54.6	1	54.6	100.0%									
6C031	SOILED TRAY	26	8		0.12	1	3.12	1	3.12	100.0%									80
6C147	ANTE ROOM	31	8		0.12		3.72	1	3.72	100.0%									
6C200	UNIT SECRETARY	87	8		0.06		5.22	1	5.22	100.0%	1	20							
6C201	FAMILY WAITING	812	10	5	0.06		293.72	1	293.72	19.3%	49	735	1230	700	418				
6C202	KITCHEN	37	8	7.5	0.18	0.3	6.66	1	6.66	100.0%									
6C203	PUBLIC TOILET	50	8			50	0	1											75
6C205	EQUIPMENT STORAGE	50	8		0.12		6	1	6	2.9%			200	200					
6C206	EQUIPMENT STORAGE	77	9		0.12		9.24	1	9.24	3.2%			280	200					
6C207	CONSULT	90	10	5	0.06		20.4	1	20.4	100.0%	3	60							
6C208	APN OFFICE	83	8	5	0.06		14.98	1	14.98	100.0%	2	40							

6C210	CLEAN SUPPLY	133	9	0.12		15.96	1	15.96	100.0%						
6C211	EQUIPMENT STORAGE	168	9	0.12		20.16	1	20.16	100.0%						
6C212	SOILED HOLD	118	8	0.12	1	14.16	1	14.16	4.6%			295	250		210
6C213	FLEX WORKROOM	134	8	7.5	0.06	38.04	1	38.04	100.0%	4	80				
6C214	MEDS ROOM	114	8	15	0.18	20.52	1	20.52	100.0%						
6C215	TEAM HUB	220	8	7.5	0.06	43.2	1	43.2	100.0%	4	80				
6C216	CLEAN SUPPLY	126	9	0.12		15.12	1	15.12	100.0%						
6C217	ASST NURSE MNGR OFFICE	106	8	5	0.06	16.36	1	16.36	100.0%	2	40				
6C250	NOURISHMENT	94	8	10	0.18	16.92	1	16.92	5.5%			290	180		
6C251	CLEAN SUPPLY	115	9	0.12		13.8	1	13.8	100.0%						
6C252	FLEX WORKROOM	101	8	7.5	0.06	36.06	1	36.06	100.0%	4	80				
6C253	TEAM HUB	198	8	7.5	0.06	41.88	1	41.88	100.0%	4	80				
6C254	MEDS ROOM	128	8	15	0.18	23.04	1	23.04	7.5%			285	200		
6C255	SOILED HOLD	103	8	0.12	1	12.36	1	12.36	100.0%						140
6C256	CLEAN SUPPLY	120	9	0.12		14.4	1	14.4	100.0%						
6C257	EQUIPMENT STORAGE	103	9	0.12		12.36	1	12.36	100.0%						
6C330	STAFF LOUNGE	214	9	5	0.06	52.84	1	52.84	11.4%	8	160	410	300	117	
6C331	STAFF TOILET	50	8			50	0	1							75
6C020	NURSE ALCOVE	22	7.5	0.06		1.32	1	1.32	100.0%	1					
6C021	NURSE ALCOVE	22	7.5	0.06		1.32	1	1.32	100.0%	1					
6C022	NURSE ALCOVE	22	7.5	0.06		1.32	1	1.32	100.0%	1					
6C023	NURSE ALCOVE	22	7.5	0.06		1.32	1	1.32	100.0%	1					
6C024	NURSE ALCOVE	22	7.5	0.06		1.32	1	1.32	100.0%	1					
6C025	NURSE ALCOVE	22	7.5	0.06		1.32	1	1.32	100.0%	1					
6C040	NURSE ALCOVE	22	7.5	0.06		1.32	1	1.32	100.0%	1					
6C041	NURSE ALCOVE	22	7.5	0.06		1.32	1	1.32	100.0%	1					
6C042	NURSE ALCOVE	22	7.5	0.06		1.32	1	1.32	100.0%	1					
6C043	NURSE ALCOVE	22	7.5	0.06		1.32	1	1.32	100.0%	1					
6C044	NURSE ALCOVE	22	7.5	0.06		1.32	1	1.32	100.0%	1					
6C045	NURSE ALCOVE	22	7.5	0.06		1.32	1	1.32	100.0%	1					
7A001	ELEV LOBBY	234	9	5	0.06	14.04	1	14.04	13.5%		30	90	90	45	

7A010	CORRIDOR	1024	8.5	0.06	61.44	1	61.44	18.0%		92	280	150	75		
7A012	CORRIDOR	112	8	0.06	6.72	1	6.72	5.3%		40	120	62	31		
7A013	CORRIDOR	112	8	0.06	6.72	1	6.72	5.3%		40	120	62	31		
7A014	CORRIDOR	1037	8.5	0.06	62.22	1	62.22	17.2%		99	300	155	78		
7A015	CORRIDOR	527	8.5	0.06	31.62	1	31.62	8.1%		119	360	188	94		
7A030	STOR ALCOVE	23	8	0.06	1.38	1	1.38	100.0%							
7A031	STOR ALCOVE	23	8	0.06	1.38	1	1.38	100.0%							
7A032	STOR ALCOVE	35	8	0.06	2.1	1	2.1	100.0%							
7A200	UNIT SECRETARY	78	8	5	0.06	9.68	1	9.68	16.2%	1	17	50	50	25	
7A201	FAMILY WAITING	787	10	5	0.06	272.22	1	272.22	18.5%	45	396	1200	560	280	
7A202	KITCHEN	41	8	7.5	0.18	0.3	7.38	1	7.38	100.0%					
7A203	PUBLIC TOILET	50	8			50	0	1						75	
7A205	CONSULT	75	8	5	0.06	19.5	1	19.5	20.6%	3	25	75	60	30	
7A210	CLEAN SUPPLY	120	9		0.12	14.4	1	14.4	17.1%		23	70	62	31	
7A211	SOILED HOLD	100	8		0.12	1	12	1	12	7.9%	46	140	123	62	260
7A212	EQUIPMENT STORAGE	160	9		0.12	19.2	1	19.2	27.7%		17	50	40	20	
7A213	FLEX WORKROOM	121	8	7.5	0.06	22.26	1	22.26	21.8%	2	26	80	70	35	
7A214	TEAM HUB	240	8	7.5	0.06	44.4	1	44.4	27.0%	4	40	120	62	31	
7A215	MEDS ROOM	127	8	15	0.18	22.86	1	22.86	24.6%		23	70	70	35	
7A216	CLEAN SUPPLY	131	9		0.12	15.72	1	15.72	16.4%		26	80	80	40	
7A250	NOURISHMENT	92	8	10	0.18	16.56	1	16.56	3.4%		155	470	212	106	
7A251	ASST NURSE MNGR OFFICE	100	8	5	0.06	16	1	16	24.2%	2	17	50	25	13	
7A252	CLEAN SUPPLY	135	9		0.12	16.2	1	16.2	16.8%		26	80	80	40	
7A254	FLEX ROOM	143	8	7.5	0.06	8.58	1	8.58	8.7%		30	90	80	40	
7A255	TEAM HUB	200	8	7.5	0.06	27	1	27	10.1%	2	79	240	140	70	
7A256	MEDS ROOM	120	8	15	0.18	21.6	1	21.6	23.6%		23	70	66	33	
7A257	SOILED HOLD	100	8		0.12	1	12	1	12	7.9%	46	140	132	66	240
7A258	CLEAN SUPPLY	120	9		0.12	14.4	1	14.4	15.3%		26	80	75	38	
7A259	EQUIPMENT STORAGE	140	9		0.12	16.8	1	16.8	35.9%		10	30	28	14	
7A330	STAFF LOUNGE	205	9	5	0.06	52.3	1	52.3	9.8%	8	158	480	150	75	
7A331	STAFF TOILET	50	8			50	0	1						75	

7A352	ANTE ROOM	35	8	0.12	4.2	1	4.2	100.0%						
*	313 PATIENT ROOMS	250	8.5	20	0.12	90	1	90	26.5%	3	75	250	150	50
*	311 PATIENT TOILETS	50	8.5			50	0	1						100